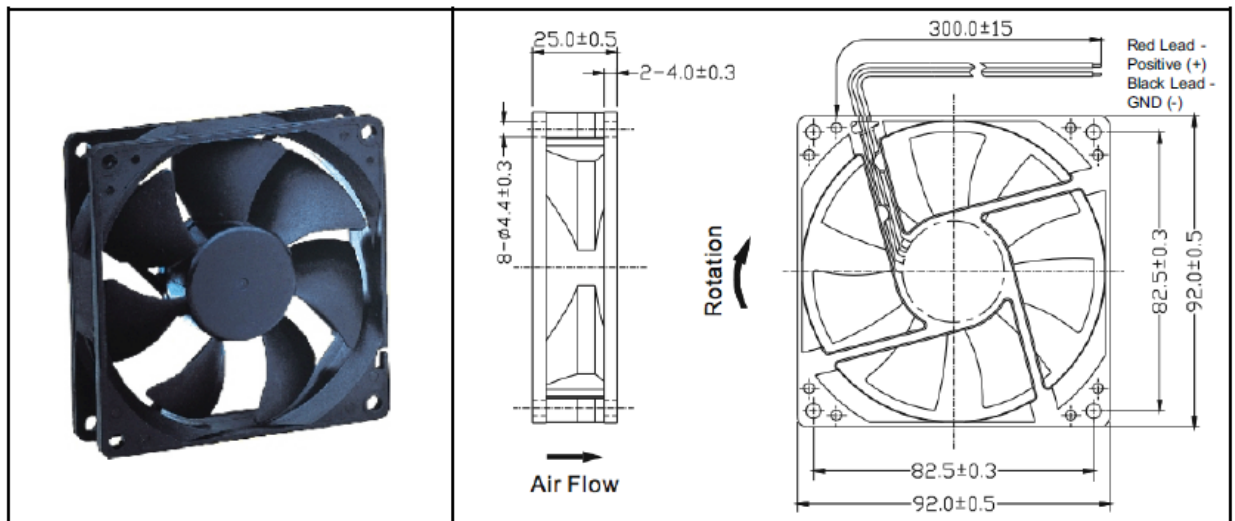
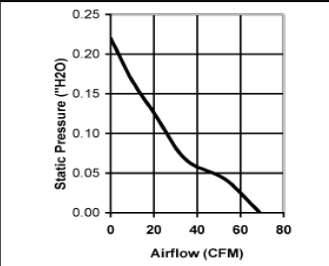


# Datasheet

## DC Axial Fan, 92 x 92 x 25mm, 117m<sup>3</sup>/h, 12W, 60 V dc (OD9225 Series)

RS Stock Number: 787-3997



Frame & Impeller	PBT, UL94V-O plastic	<b>Available Options:</b> Tachometer (Frequency Generator) Alarm (Rotation Detector) <b>Life Expectancy (L10)</b> Ball - 50,000 hrs (25C) <b>Operating Temperature</b> Ball: -10 ~ 70C	
Connection	2x Lead wires (~300mm)		
Motor	Brushless DC, auto restart, polarity protected		
Bearing System	Ball bearing		
Insulation Resistance	10M ohm between leadwire and frame (500VDC)		
Dielectric Strength	1 second at 500 VAC, max leakage < 500 MicroAmp		

Model Number	
Part Number	
Nominal Voltage	60 VDC
Voltage Range	36 ~ 72 VDC
Nominal Current	0.20 A (0.05 A locked rotor)
Rated Power	12 W
Rated Speed (RPM)	3200
Airflow (CFM)	69
Noise Level (dB)	39
Max. Static Pressure	0.22" H <sub>2</sub> O