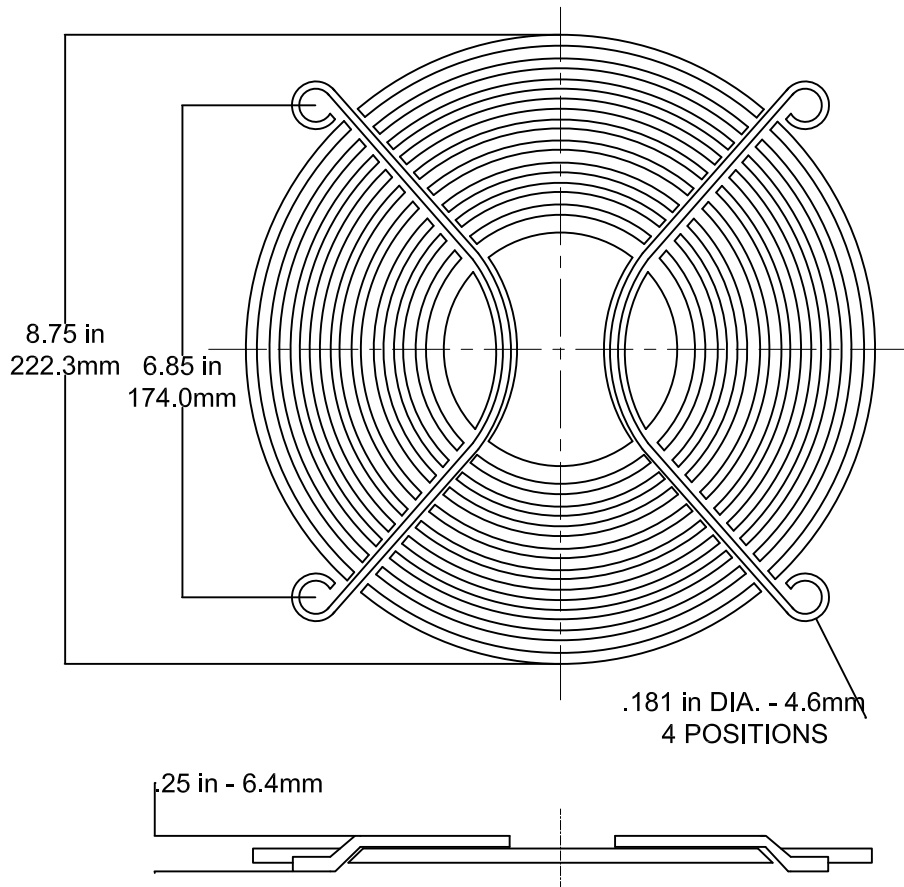


ALL RIGHTS RESERVED. NO PORTION OF THIS PUBLICATION, WHETHER IN WHOLE OR IN PART CAN BE REPRODUCED WITHOUT THE EXPRESS WRITTEN CONSENT OF SPC TECHNOLOGY.

REVISIONS

DOC. NO. SPC-F005 * Effective: 12/21/98 * DCP No: 680

DCP #	REV	DESCRIPTION	DRAWN	DATE	CHECKD	DATE	APPRVD	DATE
2033	A	RELEASED	JN	03/31/09	JWM	03/31/09	JWM	03/31/09



NOTES

1. Material: C1008 Steel
2. Plating: Black Electro Deposit
3. Ring Diameter: 2.3mm
4. Rib Diameter: 2.3mm

DISCLAIMER:
 ALL STATEMENTS AND TECHNICAL INFORMATION CONTAINED HEREIN ARE BASED UPON INFORMATION AND/OR TESTS WE BELIEVE TO BE ACCURATE AND RELIABLE. SINCE CONDITIONS OF USE ARE BEYOND OUR CONTROL, THE USER SHALL DETERMINE THE SUITABILITY OF THE PRODUCT FOR THE INTENDED USE AND ASSUME ALL RISK AND LIABILITY WHATSOEVER IN CONNECTION THEREWITH.

Multicomp

Tolerance: UNLESS OTHERWISE SPECIFIED, DIMENSIONS ARE FOR REFERENCE PURPOSES ONLY.	DRAWN BY:	DATE:
	Jason Nash	03/31/09
	CHECKED BY:	DATE:
	Jeff McVicker	03/31/09
	APPROVED BY:	DATE:
	Jeff McVicker	03/31/09

DRAWING TITLE: Finger Guard			
SIZE A	DWG. NO. MC34215	ELECTRONIC FILE 32R8494.dwg	REV A
SCALE: NTS	U.O.M.: Millimeters	SHEET: 1 OF 1	