

CYCLONE filter

RHF 200

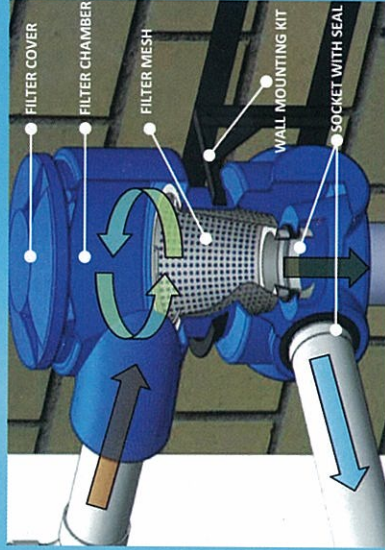
PRODUCT FEATURES

- Unique design that allows rainwater collection and coarse contaminants separation at the same time
- Easy installation from gutter to rainwater storage tank
- High water collection efficiency, over 90% of rainwater is collected
- Tough, durable and corrosion free construction



TYPICAL SITE INSTALLATION

HOW IT WORKS



Rainwater with contaminants such as leaves and twigs from the roof enters the gutter downpipes through the filter's inlet

Cyclone effect is created inside and channels the unwanted contaminants to be discharged at the center of the chamber at the same time the filtered water is collected at the lower part of the chamber via the filter mesh

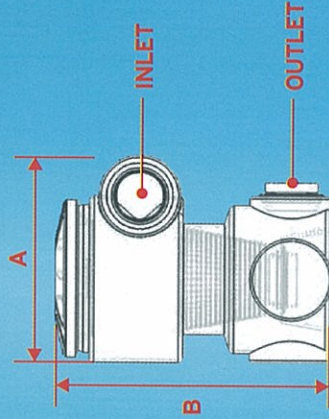
The contaminants are flushed down through the drain pipe

Clean filtered rainwater free from contaminants is channeled to the first flush diverter of the storage tank

Cleaner and Efficient Way to Collect Rainwater!

MODEL RHF-200

A	442.5 mm
A1	355.0 mm
B	590.0 mm
B1	180.0 mm
B2	87.5 mm
ROOF AREA	Up to 200 sq. mtr
RECOMMENDED INLET/OUTLET Ø	4 in / 102 mm



AVAILABLE COLORS

BIEGE

DARK BLUE