

FEATURES

- Made of PC
- Lid made of transparent PC
- Available in light gray colour
- Protection against liquids and solid objects: IP65 rating
- Supplied with silicone gasket and four screws
- Threaded brass inserts for reliable assembly.

RS PRO Hermetic Enclosures

RS Stock No.: 2384072



RS Professionally Approved Products bring to you professional quality parts across all product categories. Our product range has been tested by engineers and provides a comparable quality to the leading brands without paying a premium price.

Family Name

Product Description

Hermetic enclosure ideal for applications requiring protection against water ingress. Supplied with silicon gasket that provides IP65 rating. Lid manufactured with recess for membrane keypads and overlays. Threaded brass inserts ensures reliable assembly of the enclosure. It can be mounted on walls and other surfaces using mounting ears.

General Specifications

Type	Full With lug (U)
Material	PC, Transparent PC
Colour	Lightgray
Accessories	Screw M3 17/10 – 4 psc
Mounting	Wall mount

Mechanical Specifications

Height	39.9 mm
Width	61.3 mm
Length	91.1 mm (121.3 mm)
Gasket	Silicone Gasket

Protection Category

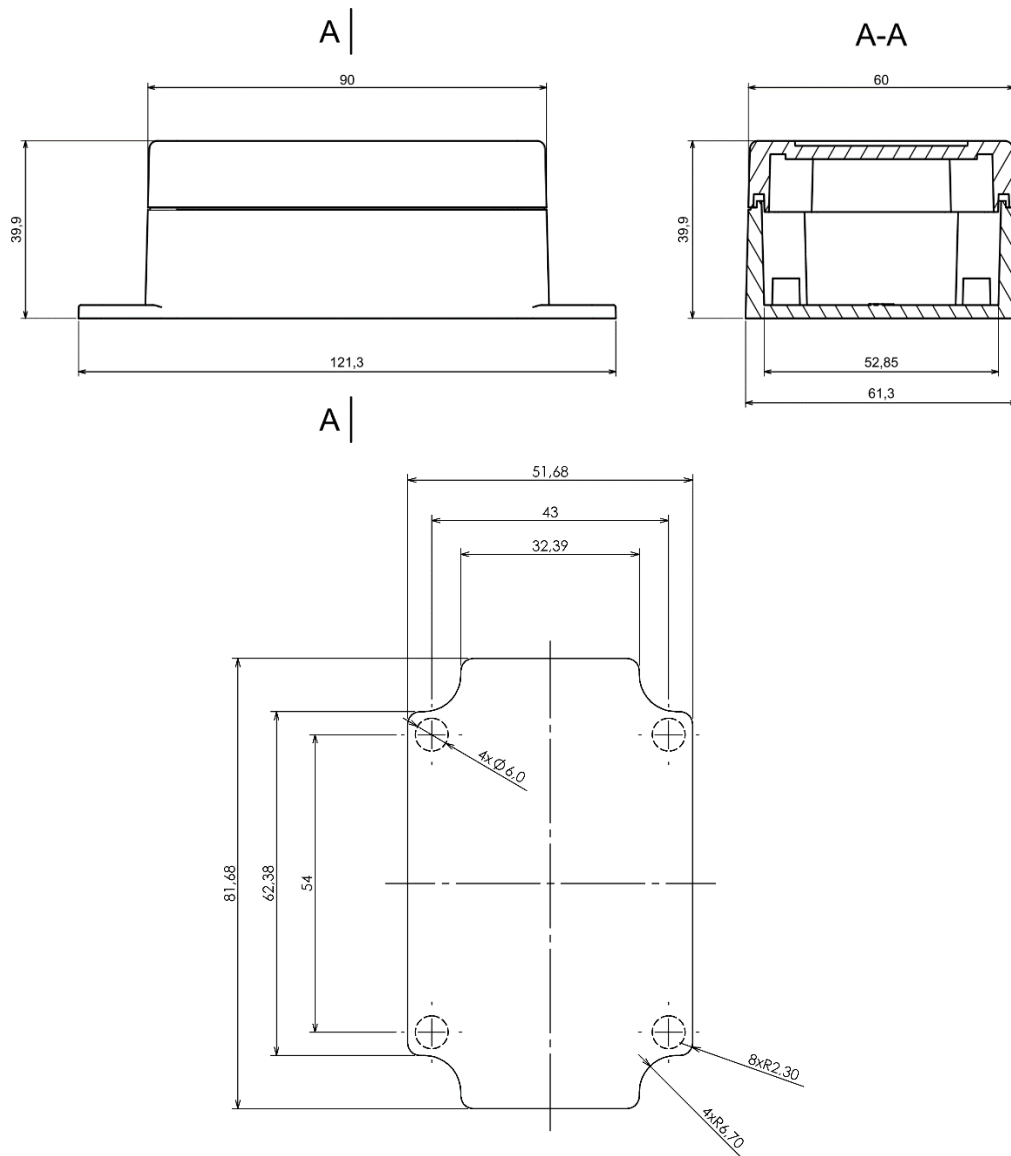
Protection level	IP65
-------------------------	------

Approvals

Declarations	CE
Standards Met	RoHS Compliant

Similar Products

Stock No.	Brand	Product Name	Colour	Material
2384072	RS PRO	Hermetic	Lightgrey Transparent	ABS, Transparent PC
2384070	RS PRO	Hermetic	Lightgrey	Polycarbonate



Dashed line shows outline of the mounting boss under PCB board
 Recommended mounting holes diameter $\varnothing 4$ mm
 All dimensions are given within ± 0.5 mm tolerance