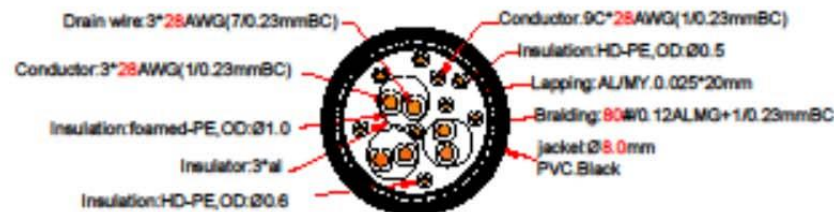
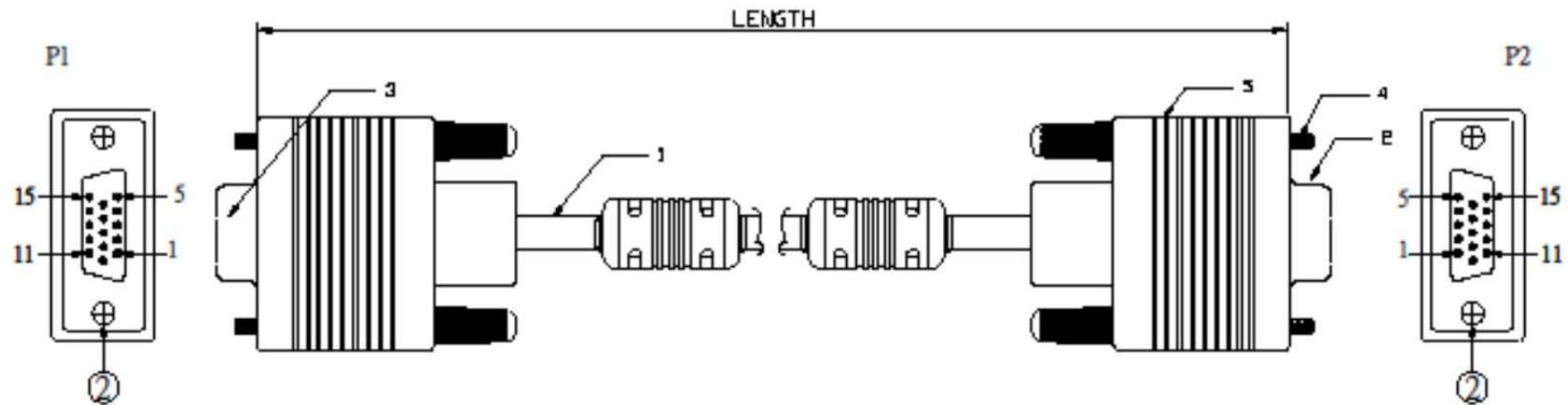


ECN MARK	ECN NO.	DESCRIPTION	DATE



3P+9C(28AWG)
 (1/0.23*BC+FPE1.0MM+
 7/0.10*BC+PVCOD2.4MM) *
3P+ (1/0.23*BC+PEOD0.6MM)
***9C+AL+0.12/80#*AL+PVCOD8.0MM**

LENGTH
20000mm
15000mm
10000mm
7500mm
5000mm
3000mm
2000mm
1000mm

P1	P2	P1	P2
1	1	9	9
6	6	10	10
2	2	11	11
7	7	12	12
3	3	13	13
8	8	14	14
4	4	15	15
5	5	SHELL	SHELL

NO.	DWG NO	DESCRIPTION&SPECIFICATION	QTY.	REMARK
5		PVC BLUE	2PC	
4		3mm	4PC	
3		VGA Male 15 PIN Gold plated	1PC	
2		VGA Male 15 PIN Gold plated	1PC	
1		PVC BLACK	1PC	

TOLERANCE	SIGNATURES	DATE
20-99 ±0.00 100-499 ±0.0 1000-9999 ±0.00 10000-99999 ±100.00	DRAFT: Jay CHECKED: Neo APPROVAL: James	
Unit:MM	REV	A1

CPVGA003	
SCALE	TITLE
	DWG NO

