

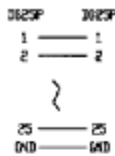
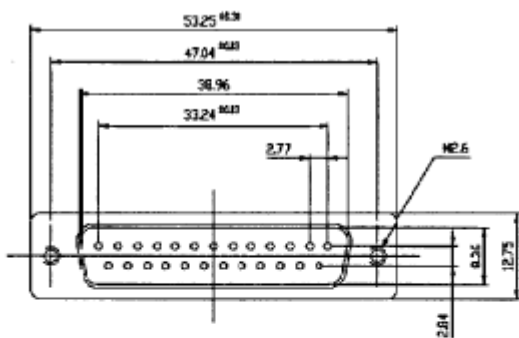
Datasheet

25 way M-M sub-min D gender changer

Stock Number: 218-194



Accessory Type	Mini Gender Changer
For Use With	25 Way D-Sub Connector
Series	MNGC



MECHANICAL

INSULATOR MATERIAL
 PBT & Glass-fibre reinforced
 UL 94V-0

CONTACT
 Brass

SHELL
 Steel

FINISH
 Contact: Gold Plating
 Shell: Nickel or Tin

DURABILITY
 100 cycles

ELECTRICAL

CURRENT RATING
 5 Amp

DIELECTRIC WITHSTANDING VOLTAGE
 AC 1000V Min. (for 1 minute)

INSULATION RESISTANCE
 1000Ω Min. (at 500V DC)

CONTACT RESISTANCE
 20mΩ Max.

WORKING TEMPERATURE
 -55°C to +105°C

