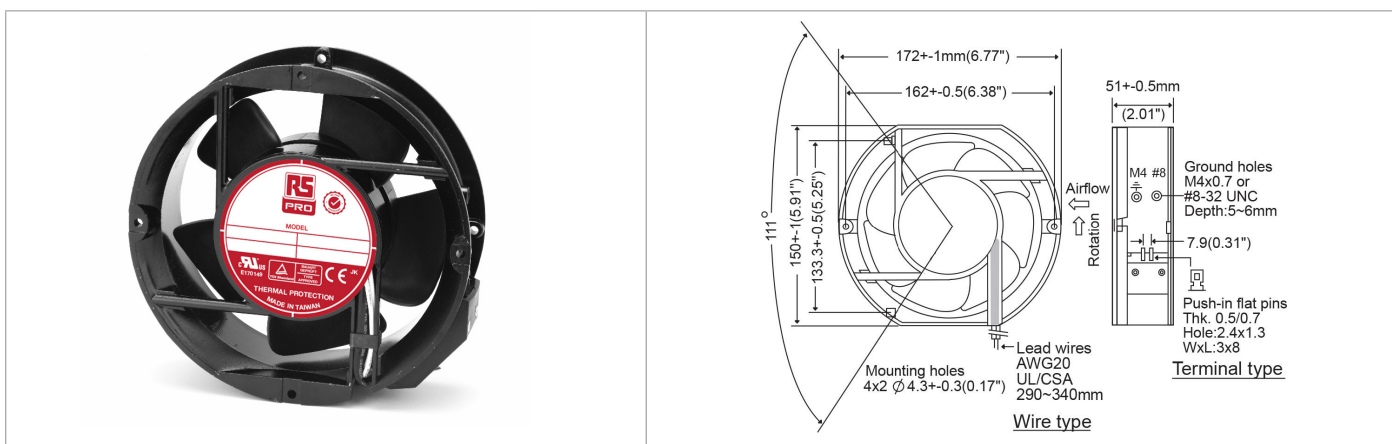




Datasheet

RS PRO AC AXIAL FAN 172×51mm, ALL METAL

EN



Frame	Diecast Aluminum	Operating Temperature Ball Bearing -40C ~ +70C Storage Temp -40C ~ +80C Life Expectancy Ball Bearing 60,000 hours (L10 at 40C) Weight: ~ 1.225 kgs (2.7 lbs)	
Impeller	PBT, UL94V-0 plastic		
Connection	2x Lead Wires or Terminals		
Motor	Capacitor drive, impedance protected		
Bearing System	Dual ball		
Insulation Resistance	>100M ohm between leadwire and frame (500VDC)		
Dielectric Strength	> 1 min at 1500 VAC, 50/60Hz		

Model Number	175-9798	175-9799
Connections	Wire Leads	Terminals
Speed (RPM)	2750	2750
Airflow (CFM)	185	185
Noise Level (dB)	58	58
Volts AC	230	230
Voltage Range	200-240	200-240
Watts	47	47
Max. Static Pressure	0.55" H ₂ O	0.55" H ₂ O
Curves	2	2