



Datasheet

RS PRO Two-Part Enclosures

Stock number: 1920715

EN



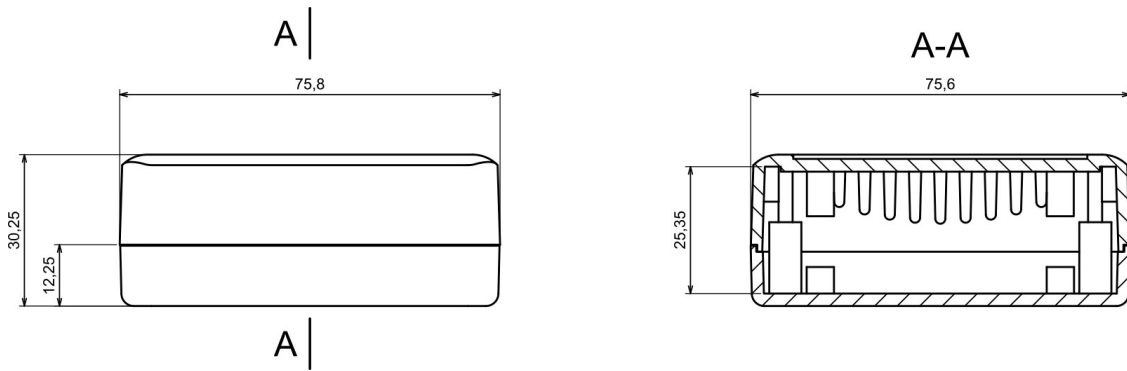
Product Details

Two-part enclosure is made of light gray ABS. The enclosure is ventilated and it provides IP20 and IK06 rating it is ideal for applications that doesn't require hermetic seal.

Features and Benefits

- Made of ABS
- Available in light gray color
- Protection against liquids and solid objects: IP20 rating
- Shock protection level: IK06 rating
- Assembly without screws

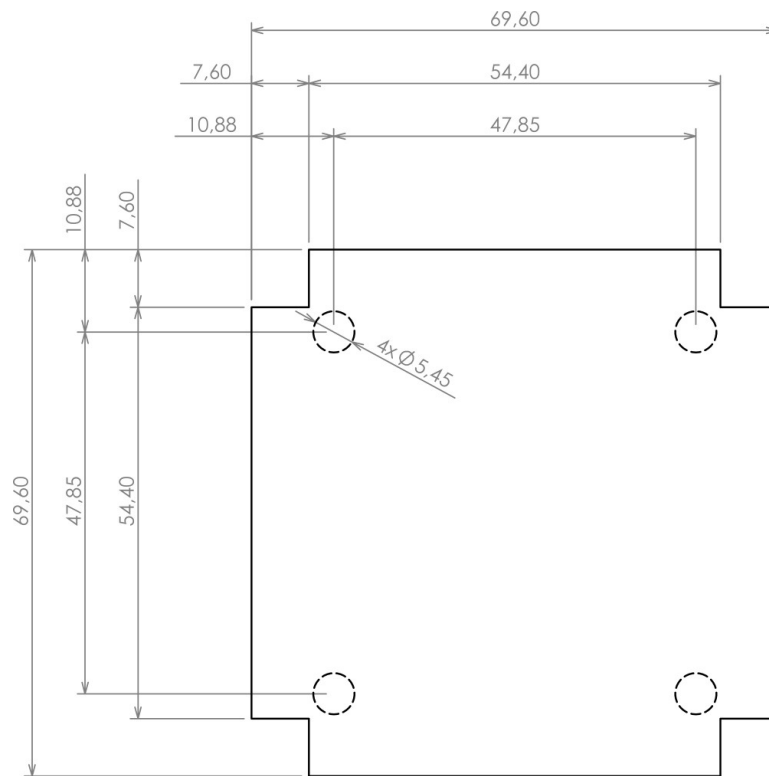
rspro.com



Category	Two-part Enclosures
Type	Ventilated (W)
Material	ABS
Variant	Without gasket
Height	30.2 mm
Width	75.8 mm
Length	75.8 mm
Color	Lightgray (J)
Protection level	IP20
Shock protection level	IK06
Standards Met	RoHS Compliant
Certificate number	CE/031/18



Max PCB size



Dashed line shows outline of the mounting boss under PCB board
Recommended mounting holes diameter $\varnothing 3,5\text{mm}$
All dimensions are given within $\pm 0,5\text{mm}$ tolerance