

PIEZO INDICATOR (Vertical Mounting Type)

Internal Circuitry Type

Shape

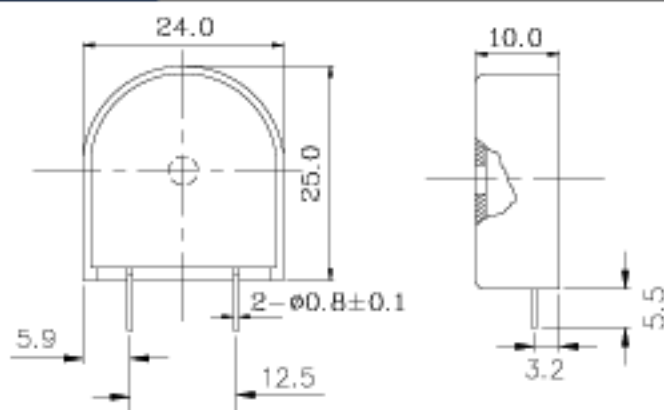
KPE-522



RoHS Compliant Available (eg.KPEG522)

Model Number	KPE-522
Rated Frequency (Hz)	3,200 ± 500
Operating Voltage Range (VDC)	3 ~ 20
Current Consumption (mA)	Max. 10@12VDC
Sound Pressure Level (dB)	Min. 75dB@30cm@12VDC
Tone	Continuous
Operating Temperature (°C)	-30 ~ +115
Storage Temperature (°C)	-40 ~ +125
Weight (Gram)	3.7
Material	PC 10% Glas (Black)

Dimension



Characteristic

