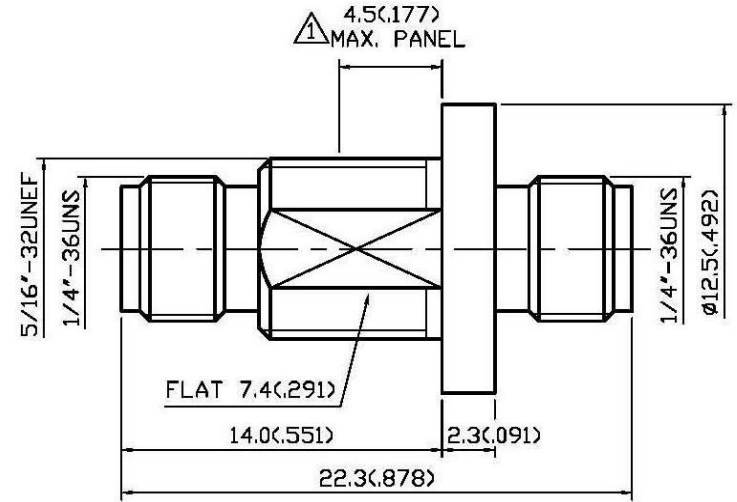
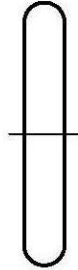
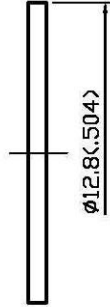
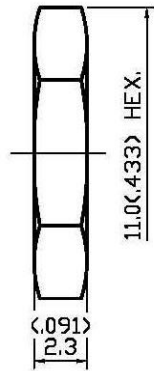
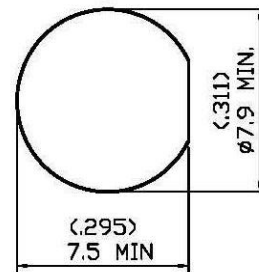


NO	DESCRIPTION	DATE
⚠	ADD MOUNTING HOLE ADD 4.5 MAX. PANEL	10.30.12'
⚠	WORKING VOLTAGE → VOLTAGE RATING DEL. PROOF VOLTAGE	11.22.12'



11/22/2012



⚠ MOUNTING HOLE

**1.0 ELECTRICAL**

- 1.1 FREQUENCY RANGE: DC-18 GHz
- 1.2 NOMINAL IMPEDANCE: 50 OHMS
- 1.3 VOLTAGE RATING: 500 VOLTS MAX. ⚠
- 1.4 VSWR: 1.23 MAX.

**2.0 MATERIALS**

- 2.1 BODIES: BRASS PER JIS-C3604
- 2.2 CENTER CONTACT: BERYLLIUM COPPER PER ASTM B196 UNS C17300
- 2.3 INSULATION: TEFLON PER ASTM D1457 AND ASTM D1710

**3.0 FINISHES AND OTHERS**

3.1 SEE BELOW TABLE FOR DETAILS.

**4.0 MECHANICAL**

4.1 INTERFACE IN ACCORDANCE WITH: MIL-STD-348A

**5.0 ENVIRONMENTAL**

5.1 OPERATING TEMPERATURE RANGE: -85° C TO +165° C

NO	DESCRIPTION	MATERIAL	Q'TY	FINISH
6	O-RING	SILICONE	1	RED
5	INSULATION	TEFLON	1	NONE
4	CENTER CONTACT	BERYLLIUM COPPER	1	GOLD 50μ" MIN.
3	BODY	BRASS	1	GOLD 3μ" MIN.
2	WASHER	BRASS	1	GOLD
1	NUT	BRASS	1	GOLD



APPROVED by \_\_\_\_\_ DATE: \_\_\_\_\_

DESCRIPTION		SMA BULKHEAD JACK - JACK ADAPTER							
製圖	DRAWN	TOLERANCE	品名	19-21-1	T.G.G	日期	DATE	版次	REV.
	Kristina						11.22.95'		
檢圖	CHECK	.XX	±0.1	單	UNIT	DWG.NO.	19-0149		
	Arc								
認定	APPROVAL	.XXX	±0.05	比	SCALE				
	Angela								