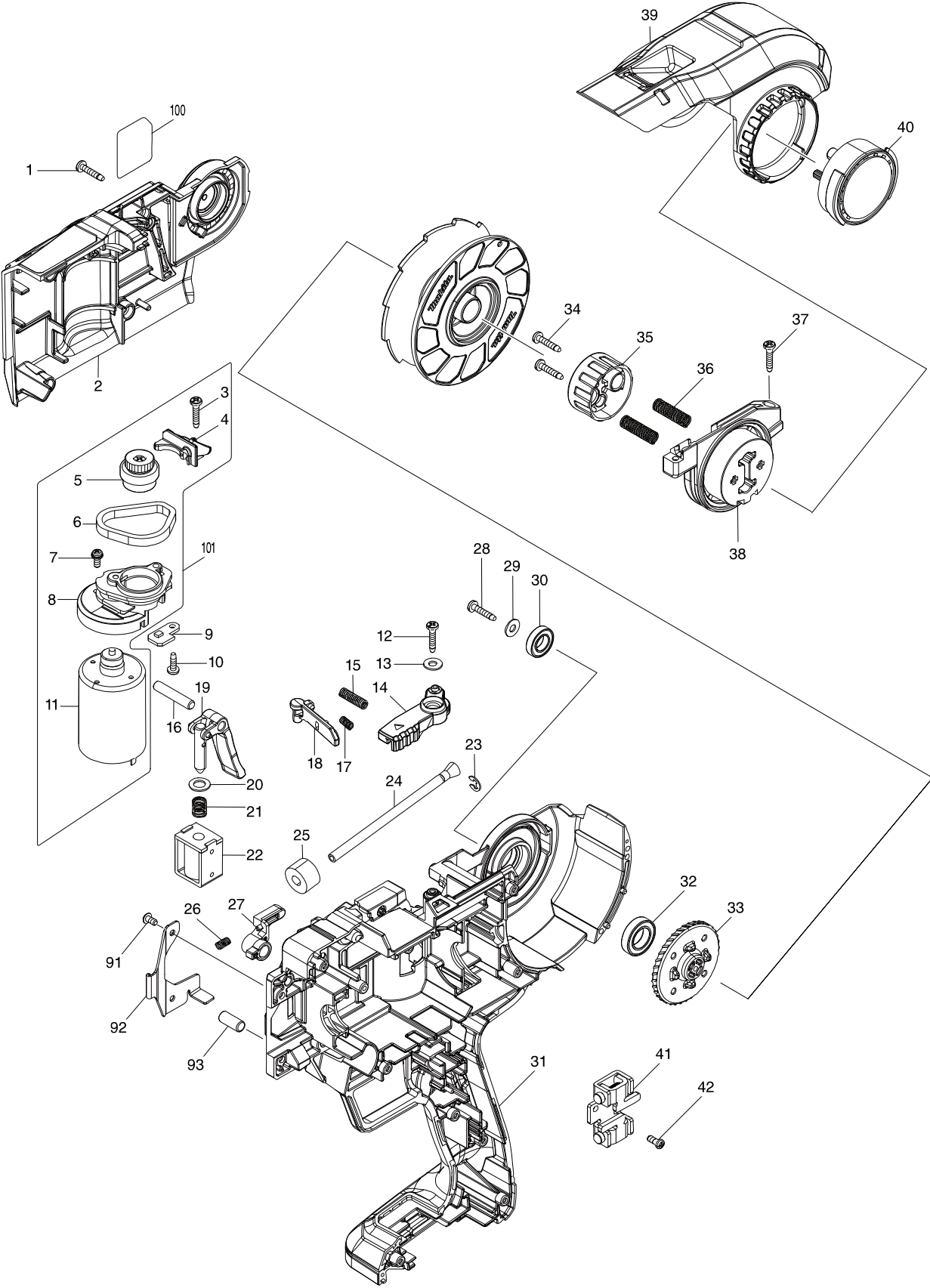
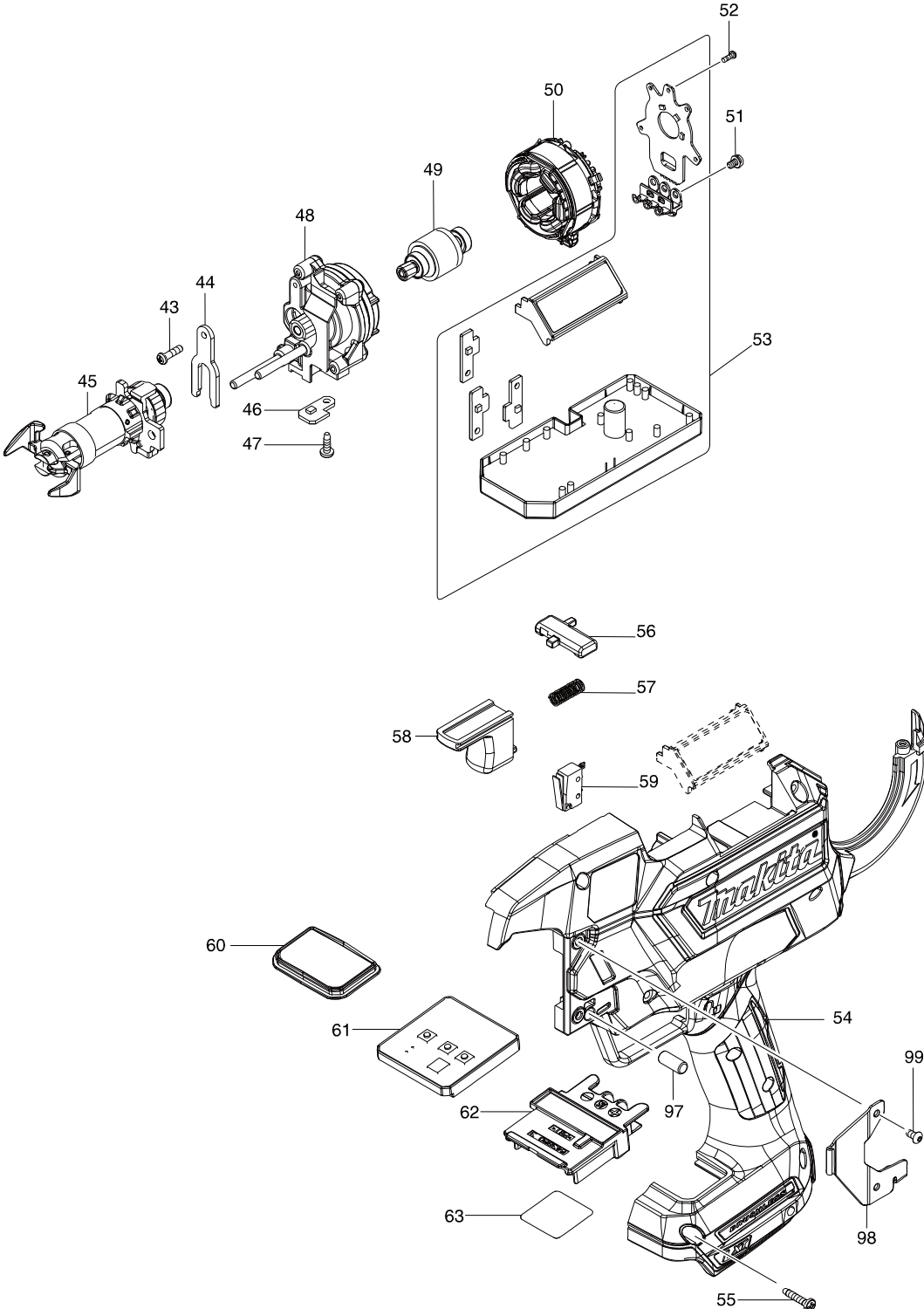


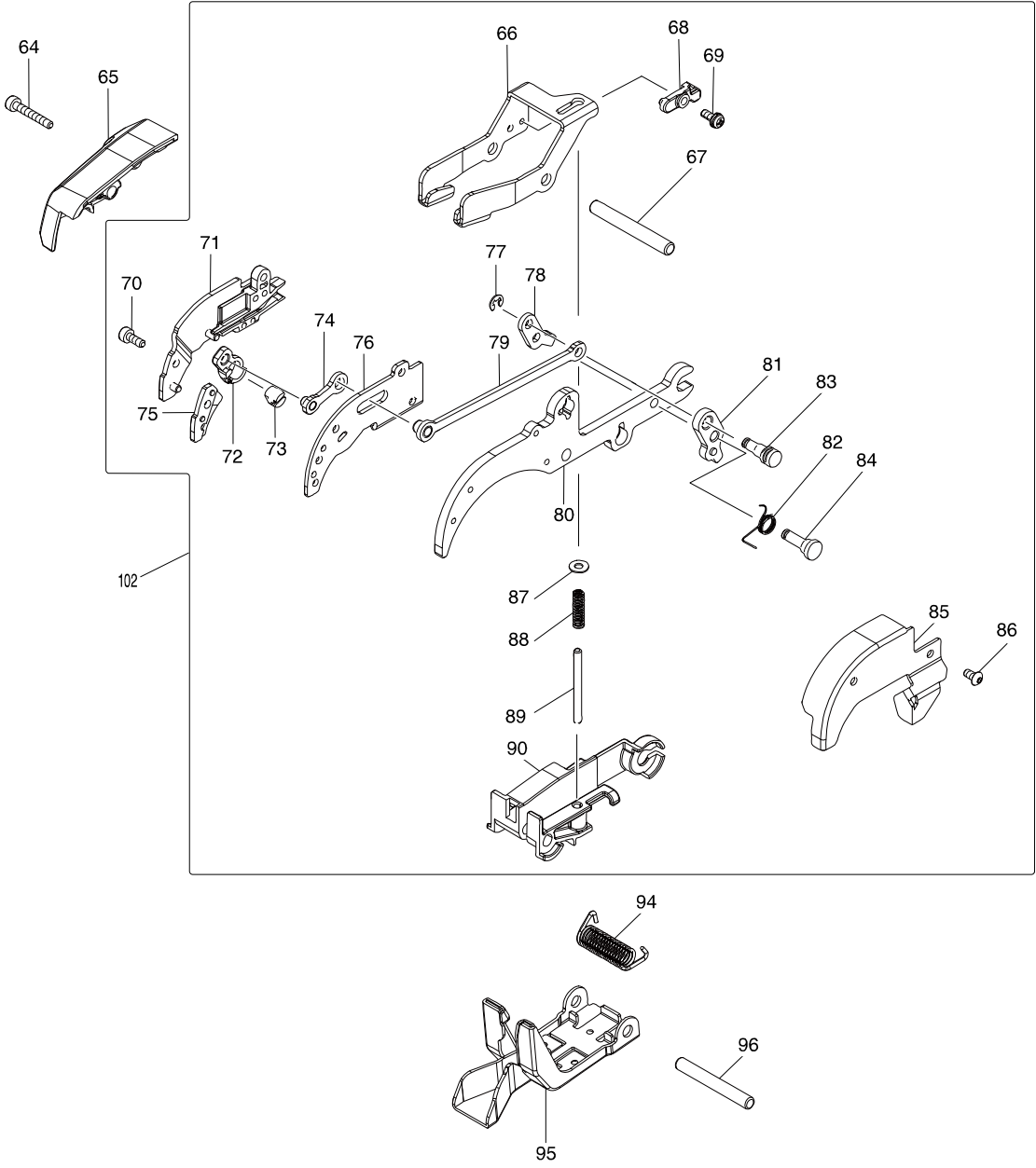
Model No. DTR180 CORDLESS REBAR TYING TOOL



Model No. DTR180 CORDLESS REBAR TYING TOOL



Model No. DTR180 CORDLESS REBAR TYING TOOL



Model No. DTR180 CORDLESS REBAR TYING TOOL

Item	Parts No.	Description	I/C	QTY	N/O	Opt. 1	Opt. 2	NOTE
001	266130-9	TAPPING SCREW BIND PT 3X16		4		73181500		
002	140B66-1	HOUSING COVER COMPLETE		1	*	84679900		
C10	817A35-8	INDICATION LABEL A		1	*			
C20	817A42-1	CAUTION LABEL A		1	*			
C30	817A44-7	CAUTION LABEL B		1	*			
002-1	140J78-2	HOUSING COVER COMPLETE	S	1		84679900		
C10	817A35-8	INDICATION LABEL A		1				
C20	817A42-1	CAUTION LABEL A		1				
C30	817A44-7	CAUTION LABEL B		1				
003	266130-9	TAPPING SCREW BIND PT 3X16		1		73181500		
004	310864-7	WIRE GUIDE A		1		84679900		
005	135968-2	SPUR GEAR 30A ASSEMBLY		1		84679900		
006	422247-0	SPONGE SHEET A		1		40169390		
007	911008-8	PAN HEAD SCREW M3X8		2		73181500		
008	458222-0	MOTOR BASE		1		84679900		
009	620913-5	SENSOR CIRCUIT		1		84679900		
010	266007-8	TAPPING SCREW BIND PT 3X10		1		73181500		
011	629346-1	DC MOTOR		1		85011019		
012	266130-9	TAPPING SCREW BIND PT 3X16		1		73181500		
013	941051-3	FLAT WASHER 4		1		73182200		
014	135969-0	RELEASE LEVER ASSY		1		84834000		
015	232443-0	COMPRESSION SPRING 3		1		73209090		
016	256098-7	PIN 5		1		73182990		
017	232442-2	COMPRESSION SPRING 3		1		73209090		
018	458223-8	LOCK LEVER		1		73182990		
019	140A85-1	BRAKE ARM COMPLETE		1		84679900		
020	941152-7	FLAT WASHER 6		1		73182200		
021	232446-4	COMPRESSION SPRING 7		1		73209090		
022	679032-4	SOLENOID		1		84818090		
023	961011-9	STOP RING E-4		1	*	73182990		
024	327112-7	WIRE GUIDE PIPE		1	*	84679900		
024-1	140L14-0	WIRE GUIDE PIPE COMPLETE	S	1				
025	422249-6	SPONGE SHEET B		1		40169390		
026	232442-2	COMPRESSION SPRING 3		1		73209090		
027	144901-3	MAGNET ARM CCOMPLETE		1		84679900		
028	266130-9	TAPPING SCREW BIND PT 3X16		1		73181500		
029	941051-3	FLAT WASHER 4		1		73182200		
030	211478-4	BALL BEARING 689		1		84821090		
031	183J56-9	HOUSING SET		1		84679900		
C10	263005-3	RUBBER PIN 6		2		40169390		
C20	252126-6	HEX. LOCKING NUT M4-7		2		73181500		
C30	931002-4	HEX. NUT M3		2		73181600		
C40	817A46-3	CAUTION LABEL C		1				
D10		INC. 54						
032	211136-2	BALL BEARING 6801LLB		1		84821090		
033	144904-7	MAGNET WHEEL COMPLETE		1	*	84679900		
033-1	140H97-6	MAGNET WHEEL COMPLETE	S	1				
034	266130-9	TAPPING SCREW BIND PT 3X16		2		73181500		

Model No. DTR180 CORDLESS REBAR TYING TOOL

Item	Parts No.	Description	I/C	QTY	N/O	Opt. 1	Opt. 2	NOTE
035	319665-0	REEL BEARING		1	*	84821090		
035-1	319822-0	REEL BEARING	<	1				
036	231294-8	COMPRESSION SPRING 6		2		73209090		
037	266130-9	TAPPING SCREW BIND PT 3X16		2		73181500		
038	458225-4	REEL BASE		1		73269099		
039	458216-5	REEL COVER		1		73269099		
040	458221-2	REEL BEARING CAM		1		84821090		
041	126743-7	STOPPER ASSEMBLY		1		84679900		
042	265199-0	+ PAN HEAD SCREW M3X8		2		73181500		
043	911017-7	PAN HEAD SCREW M3X12		1		73181500		
044	310866-3	BEARING RTAINER		1		73182990		
045	140B72-6	MAIN SLEEVE COMPLETE		1	*			
045-1	140J49-9	MAIN SLEEVE COMPLETE	<	1		73182990		
046	620913-5	SENSOR CIRCUIT		1		84679900		
047	266007-8	TAPPING SCREW BIND PT 3X10		1		73181500		
048	126838-6	GEAR ASSEMBLY		1		84834000		
049	619520-9	ROTOR		1		84679900		
050	629343-7	STATOR		1		84679900		
051	652069-6	FLAT HEAD SCREW M3X6		3		73181500		
052	266490-9	TAPPING SCREW PT 2X6		3		73181500		
053	140B68-7	MAIN CONTROLLER COMPLETE		1		84679900		
C10	817A37-4	INDICATION LABEL B		1				
054	183J56-9	HOUSING SET		1		84679900		
C10	263005-3	RUBBER PIN 6		2		40169390		
C20	252126-6	HEX. LOCKING NUT M4-7		2		73181500		
C30	931002-4	HEX. NUT M3		2		73181600		
C40	817A46-3	CAUTION LABEL C		1				
D10		INC. 31						
055	266130-9	TAPPING SCREW BIND PT 3X16		11		73181500		
056	458219-9	TRIGGER LOCK		1		73182990		
057	234037-7	COMPRESSION SPRING 5		1		73209090		
058	458220-4	TRIGGER		1		73182990		
059	632L94-5	SWITCH UNIT		1		85365090		
060	140B67-9	SWITCH PLATE COMPLETE		1		85369090		
C10	817A39-0	INDICATION LABEL C		1		39199090		
061	620924-0	SWITCH CIRCUIT		1		85369090		
062	643860-3	TERMINAL		1		73182990		
063	854L26-4	DTR180 SERIAL NO. LABEL		1				
064	265633-0	HEX SOCKET HEAD BOLT M3X20		1		73181500		
065	458217-3	CONTACT PLATE COVER		1		73269099		
066	347331-9	CONTACT PLATE		1		73269099		
067	256573-3	PIN 5		1		73182990		
068	144903-9	MAGNET BASE B COMPLETE		1		84679900		
069	911008-8	PAN HEAD SCREW M3X8		1		73181500		
070	265634-8	HEX SOCKET HEAD BOLT M3X8		1		73181500		
071	140C95-0	WIRE GUIDE B COMPLETE		1		84679900		
072	310815-0	CUTTER B		1		82089090		
073	310814-2	CUTTER A		1		82089090		

