



Drinking Water Filter Kit

How CalFresh works...

Water from the mains is connected to the inlet port of the CalFresh unit. The water is then directed down through the filter cartridge within the unit. This process eliminates the unwanted contaminants. The water then flows up through the centre of the cartridge, through the outlet port and supplies filtered water via the touch tap.

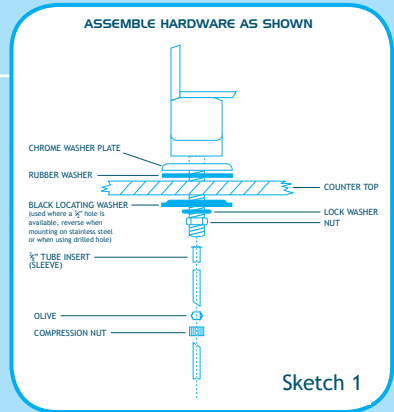
Installation Instructions

Filter Housing

Examine the area where the equipment is to be installed and select suitable areas for each item.

NOTE! When installing the CalFresh there should be sufficient space to place a container under the housing unit to catch excess water when changing the cartridge.

1. Turn off water mains before installation.
2. Select a suitable position for CalFresh C/CR noting that the length of flexible pipe supplied is used to connect both the touch tap and self-cutting tap to the CalFresh housing.
3. Position self-cutting tap on clean section of 15mm copper cold water supply pipe. Loosely clamp to pipe with 2 screws on saddle, making sure the rubber seal on the cutting head is seated correctly on the pipe.
4. Turn main body of self cutting tap until copper pipe has been pierced. Tighten the 2 saddle screws and locking nut, screw on the $\frac{3}{4}$ " female x $\frac{3}{8}$ " push fit adapter.
5. Fit the mounting bracket over the inlet and outlet ports and hold in place with the 2 x $\frac{3}{4}$ " male barrels
6. Screw 2 x $\frac{3}{4}$ " male barrels into inlet and outlet of housing using PTFE to seal, then screw on 2 x $\frac{3}{4}$ " female x $\frac{3}{8}$ " pushfit adaptors.
7. Ensure sufficient room is available under the housing to allow the cartridge to be changed. Fix housing in position. Unscrew bowl (using spanner provided) and install cartridge if not already installed (ensure packaging has been removed from cartridge). Re-fit bowl to head and tighten making sure 'o' ring sits in groove on the bowl to ensure a watertight seal
8. Using flexible pipe push one end into adapter on self cutting tap and the other end into the inlet on housing (cut pipe to length making sure the off cut is long enough to reach the touch tap).
9. Select suitable position for drinking tap on worktop. Drill a 12mm or $\frac{1}{2}$ " hole through worktop and mount as sketch 1. Screw adapter into bottom of tap. Discard $\frac{1}{4}$ " insert olive and nut. Note:- some worktops will need to be counter bored on the underside to recess the locating washer in order to have enough clearance to fit the compression nut.
10. Push pipe into bottom of tap adaptor. Push other end of pipe into outlet of housing.
11. Check all connections are tight. Do not over tighten.
12. Turn on mains water supply and self cutting tap.
13. Check for leaks.
14. Depress lever on the touch tap to remove any air locks and run water to remove any discolouration from the cartridge.
15. The system is now ready for use.



IMPORTANT NOTE: To ensure sufficient contact time between the Fresh C/Fresh CR and the water, the water flow should not exceed 5 litres per minute. If the flow of water exceeds this then reduce the flow using tap on the self cutting tap.

Cartridge replacement (recommended every 4-6 months)

1. Turn off water supply at self cutting tap.
2. Depress lever on touch tap to release water pressure in pipe.
3. Using housing spanner provided, unscrew housing from head and remove old cartridge. (Place bowl under housing to catch any remaining water in housing).
4. Fit new cartridge and screw bowl back on to head, tighten.
5. Turn water supply back on and depress touch tap lever to remove any air locks.
6. Check for leaks.

Tools

Drill & masonry bit

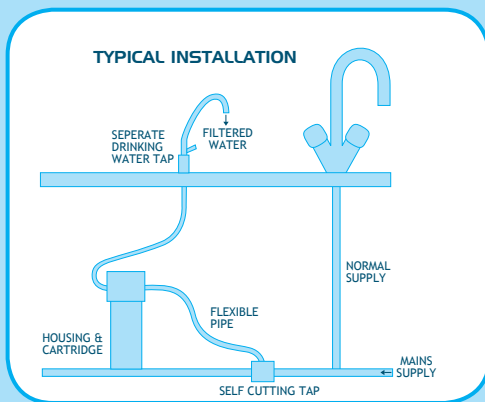
Screwdriver

Plastic pipe cutter

Tape measure

12mm or 1/2" drill bit

14, 19 & 21 mm spanners



Specification...

| | |
|-------------------------------|--|
| Housing height: | 310mm |
| Housing diameter: | 75mm |
| Tap height: | 200mm |
| Tap reach: | 75mm |
| Filter cartridge replacement: | Fresh C (carbon block) or Fresh CR (carbon/resin) both 10" x 2.5"Ø |
| Maximum working pressure: | 8 Bar (112 psi) |
| Minimum working pressure: | 1 Bar |
| Tested to: | 12 Bar (168 psi) |
| Maximum temperature: | 30°C |
| Maximum flow rate: | 10 L/Min |
| Inlet & outlet: | 1/4" BSP (female thread) |

Contents...

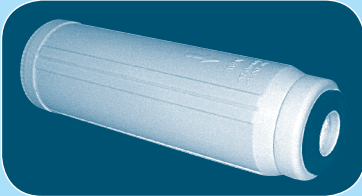
The CalFresh kit contains all the necessary screws and fittings required for easy installation. All parts are listed below:

- Self piercing saddle valve.
- Flexible pipe 1 metre (approx. length).
- Filter housing (Std 10").
- Fixing bracket with screws for wall mounting CalFresh housing.
- Touch tap.
- Touch tap washers, 2 x rubber, 2 x chrome and 1 x shake proof washer.
- Speedfit fittings for self cutting tap.
- Connectors x 2 inlet and outlet to CalFresh housing.
- Free reminder card service for replacement cartridge intervals.
- Lifetime Guarantee registration card for housing.
- Disposable Fresh CR (Carbon and Resin) cartridge OR disposable Fresh C (Carbon block) cartridge.

Replacement filter cartridges

Our customer service includes a registration and reminder service, if required we will contact you every 6 months after the purchase of your water filter and also advise you on where you can purchase your replacement cartridge. Because contaminants are trapped within the filter cartridge, you need to change cartridges on a regular basis to maintain a clean water supply. The life span of a cartridge is dependant on the quality of water passing through it. We recommend changing filter cartridges every 4-6 months.

FRESH CR



FRESH C

