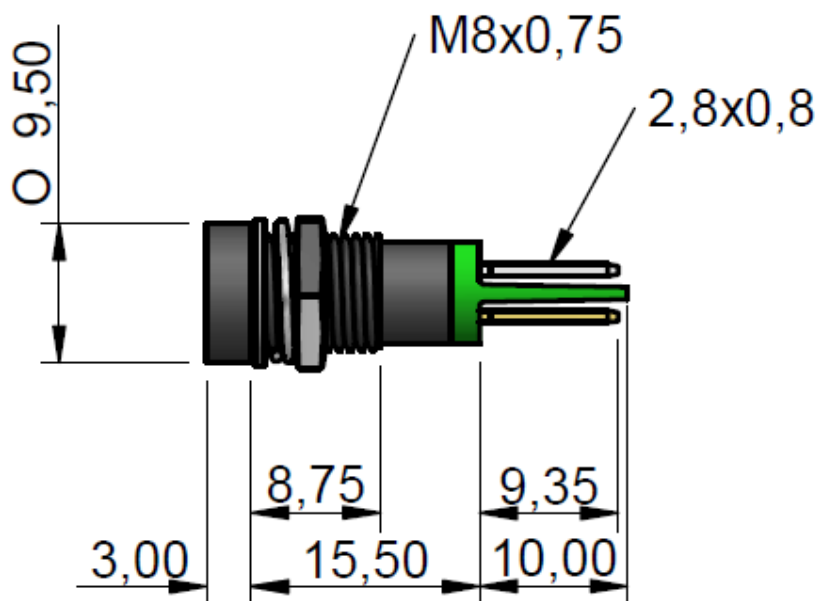


Datasheet

RS Pro LED Panel Indicator

RS Pro: 206-132



Specifications

LED/Multiled	LED
Mounting Size	8mm
Mounting Finish	Black Bezel
Protection	IP40
Mount Holder	Recessed
Chip Qty.	1
Indicator Colour	Green
Wavelength (nm)	568
Optimum Voltage	2Vdc
Voltage Tolerance	10%
Optimum Temperature	-40°C...+85°C
Contact Tab x2	2.8 x 0.8mm
Intensity	40mcd@20mA