

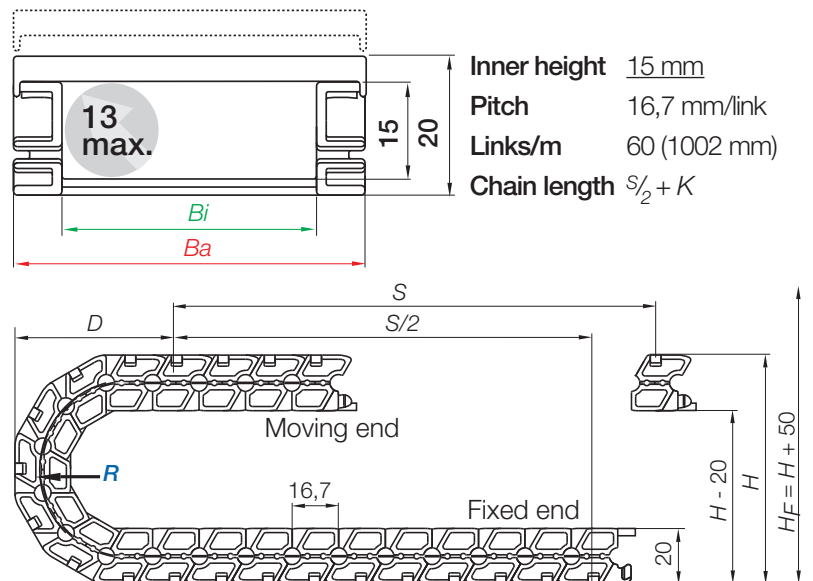
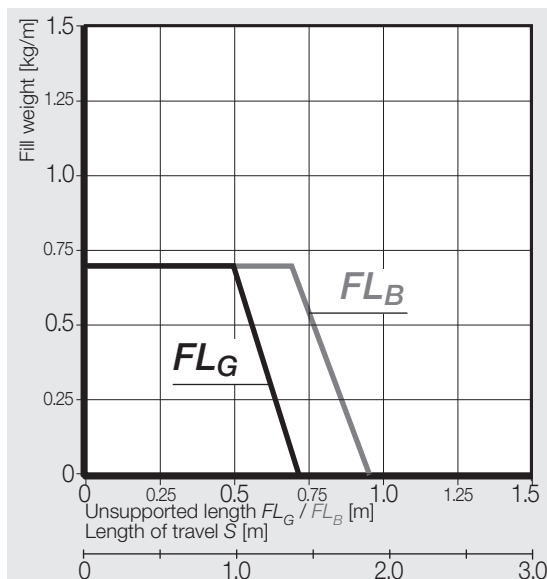
Series E3.15 | Zip-open along outer radius

e-chain® zip-open along outer radius	<i>Bi</i> [mm]	<i>Ba</i> [mm]	<i>R</i> Bending radii [mm]	Weight [kg/m]
E3.15. 020 .R.0	20	32	032 - 048* -	≈ 0,22
E3.15. 040 .R.0	40	52	032 038 048 075	≈ 0,25
E3.15. 060 .R.0	60	72	032 038 048 075	≈ 0,32

*Radius available upon request, please consult igus® for delivery time!

Supplement Part No. with required radius (*R*). Example: **E3.15.060.032.0**

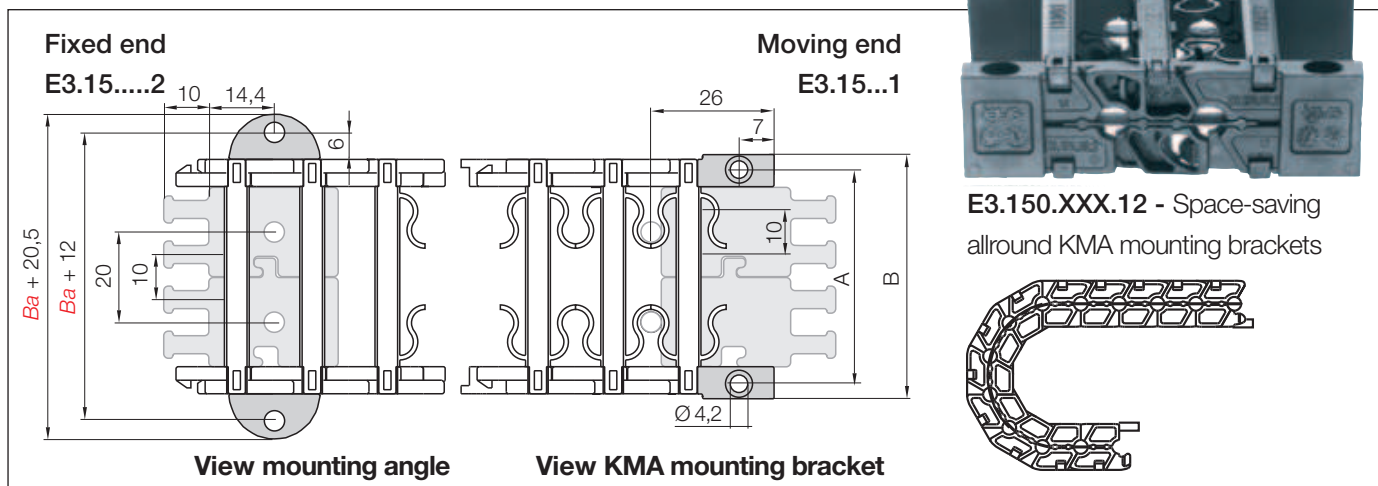
Dimensions



<i>R</i>	032	038	048	075
<i>H</i>	99	111	131	185
<i>D</i>	67	73	83	110
<i>K</i>	135	155	185	270

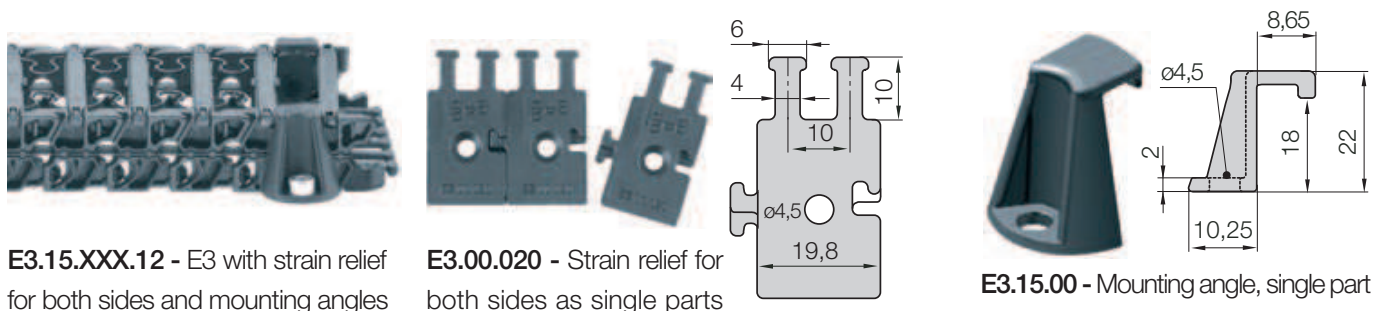
The required clearance height: $H_F = H + 50$ mm (with 0,2 kg/m fill weight)

KMA mounting bracket | Mounting angle | polymer



Width Index	Part No. space-saving all-round KMA mounting bracket	Dim. A [mm]	Dim. B [mm]	Part No. full set mounting angle (single part)	Part No. strain relief for both sides	Part No. full set strain relief for both sides + 2 mounting angles*
.020.	▶ E3.150.020.12	28	36	E3.15.00	E3.020.12	E3.15.020.12
.040.	▶ E3.150.040.12	48	56	E3.15.00	E3.040.12	E3.15.040.12
.060.	▶ E3.150.060.12	68	76	E3.15.00	E3.060.12	E3.15.060.12

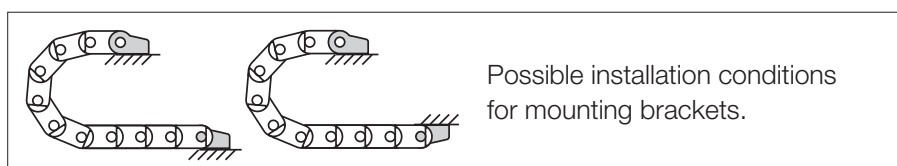
* Note: If the mounting brackets are used, two links each side must be added to the e-chain® length calculation, because the first two links are fixed by the mounting brackets.



E3.15.XXX.12 - E3 with strain relief for both sides and mounting angles

E3.00.020 - Strain relief for both sides as single parts

E3.15.00 - Mounting angle, single part

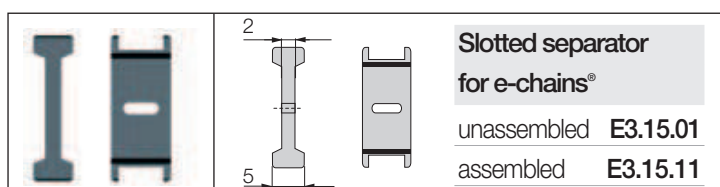


Possible installation conditions for mounting brackets.

Part No. structure



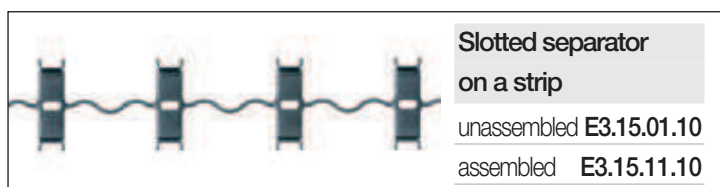
Interior separation



Slotted separator for e-chains®
 unassembled E3.15.01
 assembled E3.15.11

Slotted separator E3.15.01

Vertical separators are used if a vertical subdivision of the e-chain® interior is required.



Slotted separator on a strip
 unassembled E3.15.01.10
 assembled E3.15.11.10

Slotted separator on a strip E3.15.01.10

Five vertical separators altogether on one strip over ten e-chain® links are mounted on the opening crossbars. In this way separate chambers are formed, protecting the cables. Dimensions same as E3.15.01.