

Datasheet

Steel External Circlip, 16mm Shaft Diameter, 15.2mm Groove Diameter

RS Stock number 289-269

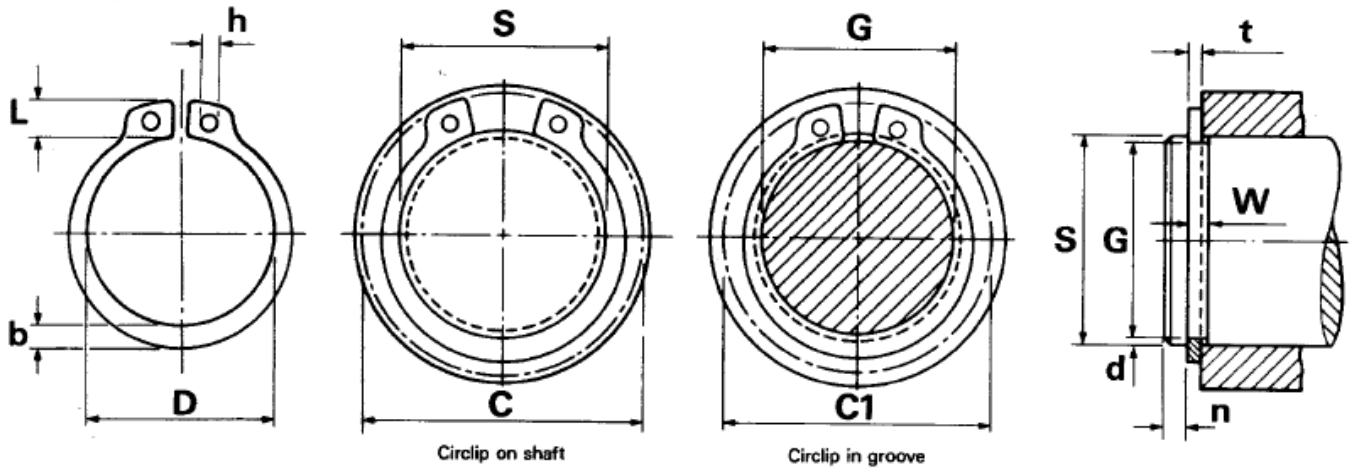


STANDARD EXTERNAL CIRCLIPS EUROPEAN SPECIFICATIONS

D1400 INCORPORATING DIN 471 & BS3673 Pt.4



All dimensions in mm



Circlip on shaft

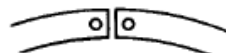
Circlip in groove



Lug for sizes 3 to 9 mm



Alternative lug for sizes 4-8 mm



Most sizes over 185 mm are without lugs



Beam configuration on some larger sizes

Sizes printed in blue are preferred sizes

† Thrust load calculations see pages 9 & 10

| Shaft S | Groove (G) | | | | | | Circlip (F) | | | | | | | | | Wt. (kg/k) | Tc† (N) | Tg† (N) |
|------------|------------|----------------|------|----------------|------------|--------|-------------|----------------|------|----------------|------|------|------------|--------|------------|---------------|------------|------------|
| | G | Tol. | W | Tol. | n (min) | d ~ | t | Tol. | D | Tol. | C | C1 | L (max) | b ~ | h (min) | | | |
| 3 | 2.8 | +0.00 -0.04 | 0.50 | +0.14 -0.00 | 0.3 | 0.10 | 0.40 | +0.00 -0.05 | 2.7 | +0.04 -0.15 | 7.0 | 6.6 | 1.9 | 0.8 | 1.0 | 0.02 | 1170 | 110 |
| 4 | 3.8 | +0.00 | 0.50 | | 0.3 | 0.10 | 0.40 | | 3.7 | | 8.6 | 8.2 | 2.2 | 0.9 | 1.0 | 0.03 | 1600 | 150 |
| 5 | 4.8 | +0.00 | 0.70 | | 0.3 | 0.10 | 0.60 | | 4.7 | | 10.3 | 9.8 | 2.5 | 1.1 | 1.0 | 0.08 | 2900 | 190 |
| 6 | 5.7 | -0.048 | 0.80 | | 0.5 | 0.15 | 0.70 | | 5.6 | | 11.7 | 11.1 | 2.7 | 1.3 | 1.2 | 0.13 | 4100 | 340 |
| 7 | 6.7 | +0.00 | 0.90 | | 0.5 | 0.15 | 0.80 | | 6.5 | | 13.5 | 12.9 | 3.1 | 1.4 | 1.2 | 0.18 | 5500 | 400 |
| 8 | 7.6 | +0.00 | 0.90 | | 0.6 | 0.20 | 0.80 | | 7.4 | | 14.7 | 14.0 | 3.2 | 1.5 | 1.2 | 0.20 | 6200 | 600 |
| 9 | 8.6 | -0.06 | 1.10 | | 0.6 | 0.20 | 1.00 | | 8.4 | | 16.0 | 15.2 | 3.3 | 1.7 | 1.2 | 0.32 | 8800 | 680 |
| 10 | 9.6 | +0.00 | 1.10 | | 0.6 | 0.20 | 1.00 | | 9.3 | | 17.0 | 16.2 | 3.3 | 1.8 | 1.5 | 0.40 | 9700 | 750 |
| 11 | 10.5 | +0.00 | 1.10 | | 0.8 | 0.25 | 1.00 | | 10.2 | | 18.0 | 17.1 | 3.3 | 1.8 | 1.5 | 0.41 | 10700 | 1040 |
| 12 | 11.5 | -0.11 | 1.10 | | 0.8 | 0.25 | 1.00 | | 11.0 | | 19.0 | 18.1 | 3.3 | 1.8 | 1.7 | 0.45 | 11700 | 1130 |
| 13 | 12.4 | +0.00 | 1.10 | | 0.9 | 0.30 | 1.00 | | 11.9 | | 20.2 | 19.2 | 3.4 | 2.0 | 1.7 | 0.52 | 12700 | 1470 |
| 14 | 13.4 | +0.00 | 1.10 | | 0.9 | 0.30 | 1.00 | | 12.9 | | 21.4 | 20.4 | 3.5 | 2.1 | 1.7 | 0.56 | 13600 | 1580 |
| 15 | 14.3 | -0.11 | 1.10 | 1.1 | 0.35 | 1.00 | 13.8 | 22.6 | 21.5 | 3.6 | 2.2 | 1.7 | 0.62 | 14600 | 1980 | | | |
| 16 | 15.2 | +0.00 | 1.10 | 1.2 | 0.40 | 1.00 | 14.7 | 23.8 | 22.6 | 3.7 | 2.2 | 1.7 | 0.69 | 15600 | 2410 | | | |
| 17 | 16.2 | -0.13 | 1.10 | 1.2 | 0.40 | 1.00 | 15.7 | 25.0 | 23.8 | 3.8 | 2.3 | 1.7 | 0.77 | 16600 | 2560 | | | |
| 18 | 17.0 | +0.00 | 1.30 | 1.5 | 0.50 | 1.20 | 16.5 | 26.2 | 24.8 | 3.9 | 2.4 | 2.0 | 0.99 | 21000 | 3390 | | | |
| 19 | 18.0 | -0.13 | 1.30 | 1.5 | 0.50 | 1.20 | 17.5 | 27.2 | 25.8 | 3.9 | 2.5 | 2.0 | 1.10 | 22200 | 3580 | | | |
| 20 | 19.0 | +0.00 | 1.30 | 1.5 | 0.50 | 1.20 | 18.5 | 28.4 | 27.0 | 4.0 | 2.6 | 2.0 | 1.18 | 23400 | 3770 | | | |
| 21 | 20.0 | +0.00 | 1.30 | 1.5 | 0.50 | 1.20 | 19.5 | 29.6 | 28.2 | 4.1 | 2.7 | 2.0 | 1.26 | 24500 | 3960 | | | |
| 22 | 21.0 | -0.13 | 1.30 | 1.5 | 0.50 | 1.20 | 20.5 | 30.8 | 29.4 | 4.2 | 2.8 | 2.0 | 1.39 | 25700 | 4150 | | | |
| 23 | 22.0 | +0.00 | 1.30 | 1.5 | 0.50 | 1.20 | 21.5 | 32.0 | 30.6 | 4.3 | 2.9 | 2.0 | 1.54 | 26900 | 4340 | | | |
| 24 | 22.9 | -0.21 | 1.30 | 1.7 | 0.55 | 1.20 | 22.2 | 33.2 | 31.7 | 4.4 | 3.0 | 2.0 | 1.52 | 28000 | 4980 | | | |
| 25 | 23.9 | +0.00 | 1.30 | 1.7 | 0.55 | 1.20 | 23.2 | 34.2 | 32.7 | 4.4 | 3.0 | 2.0 | 1.70 | 29200 | 5180 | | | |
| 26 | 24.9 | +0.00 | 1.30 | 1.7 | 0.55 | 1.20 | 24.2 | 35.5 | 33.9 | 4.5 | 3.1 | 2.0 | 1.75 | 30400 | 5390 | | | |
| 27 | 25.6 | -0.21 | 1.30 | 2.1 | 0.70 | 1.20 | 24.9 | 36.7 | 34.8 | 4.6 | 3.1 | 2.0 | 1.89 | 31600 | 7130 | | | |
| 28 | 26.6 | +0.00 | 1.60 | 2.1 | 0.70 | 1.50 | 25.9 | 37.9 | 36.0 | 4.7 | 3.2 | 2.0 | 2.47 | 40900 | 7390 | | | |
| 29 | 27.6 | -0.25 | 1.60 | 2.1 | 0.70 | 1.50 | 26.9 | 39.1 | 37.2 | 4.8 | 3.4 | 2.0 | 2.75 | 42400 | 7650 | | | |
| 30 | 28.6 | +0.00 | 1.60 | 2.1 | 0.70 | 1.50 | 27.9 | 40.5 | 38.6 | 5.0 | 3.5 | 2.0 | 2.93 | 43800 | 7920 | | | |
| 32 | 30.3 | +0.00 | 1.60 | 2.6 | 0.85 | 1.50 | 29.6 | 43.0 | 40.7 | 5.2 | 3.6 | 2.5 | 3.02 | 46700 | 10300 | | | |
| 33 | 31.3 | -0.25 | 1.60 | 2.6 | 0.85 | 1.50 | 30.5 | 44.0 | 41.7 | 5.2 | 3.7 | 2.5 | 3.30 | 48200 | 10600 | | | |
| 34 | 32.3 | +0.00 | 1.60 | 2.6 | 0.85 | 1.50 | 31.5 | 45.4 | 43.1 | 5.4 | 3.8 | 2.5 | 3.72 | 49700 | 10900 | | | |
| 35 | 33.0 | -0.30 | 1.60 | 3.0 | 1.00 | 1.50 | 32.2 | 46.8 | 44.2 | 5.6 | 3.9 | 2.5 | 3.78 | 51100 | 13200 | | | |
| 36 | 34.0 | +0.00 | 1.85 | 3.0 | 1.00 | 1.75 | 33.2 | 47.8 | 45.2 | 5.6 | 4.0 | 2.5 | 4.55 | 51400 | 13600 | | | |
| 38 | 36.0 | -0.25 | 1.85 | 3.0 | 1.00 | 1.75 | 35.2 | 50.2 | 47.6 | 5.8 | 4.2 | 2.5 | 5.08 | 54800 | 14300 | | | |
| 40 | 37.5 | +0.00 | 1.85 | 3.8 | 1.25 | 1.75 | 36.5 | 52.6 | 49.5 | 6.0 | 5.0 | 2.5 | 5.54 | 56600 | 18800 | | | |
| 42 | 39.5 | +0.00 | 1.85 | 3.8 | 1.25 | 1.75 | 38.5 | 55.7 | 52.5 | 6.5 | 5.0 | 2.5 | 5.99 | 59500 | 19800 | | | |
| 45 | 42.5 | -0.25 | 1.85 | 3.8 | 1.25 | 1.75 | 41.5 | 59.1 | 55.9 | 6.7 | 5.0 | 2.5 | 6.75 | 63700 | 21200 | | | |
| 46 | 43.5 | +0.00 | 1.85 | 3.8 | 1.25 | 1.75 | 42.5 | 60.1 | 56.9 | 6.7 | 5.0 | 2.5 | 7.24 | 65100 | 21700 | | | |
| 47 | 44.5 | -0.30 | 1.85 | 3.8 | 1.25 | 1.75 | 43.5 | 61.3 | 58.1 | 6.8 | 5.0 | 2.5 | 7.30 | 66500 | 22100 | | | |
| 48 | 45.5 | +0.00 | 1.85 | 3.8 | 1.25 | 1.75 | 44.5 | 62.5 | 59.3 | 6.9 | 5.0 | 2.5 | 7.51 | 67900 | 22600 | | | |
| 50 | 47.0 | +0.00 | 2.15 | 4.5 | 1.50 | 2.00 | 45.8 | 64.5 | 60.8 | 6.9 | 5.5 | 2.5 | 9.88 | 80900 | 28300 | | | |
| 52 | 49.0 | -0.30 | 2.15 | 4.5 | 1.50 | 2.00 | 47.8 | 66.7 | 63.0 | 7.0 | 5.5 | 2.5 | 9.53 | 84100 | 29400 | | | |
| 54 | 51.0 | +0.00 | 2.15 | 4.5 | 1.50 | 2.00 | 49.8 | 69.0 | 65.2 | 7.1 | 5.5 | 2.5 | 10.30 | 87400 | 30500 | | | |
| 55 | 52.0 | -0.30 | 2.15 | 4.5 | 1.50 | 2.00 | 50.8 | 70.2 | 66.4 | 7.2 | 5.5 | 2.5 | 10.41 | 89000 | 31100 | | | |
| 56 | 53.0 | +0.00 | 2.15 | 4.5 | 1.50 | 2.00 | 51.8 | 71.6 | 67.6 | 7.3 | 5.5 | 2.5 | 10.50 | 90600 | 31700 | | | |
| 58 | 55.0 | +0.00 | 2.15 | 4.5 | 1.50 | 2.00 | 53.8 | 73.6 | 69.6 | 7.3 | 5.6 | 2.5 | 12.47 | 93800 | 32800 | | | |
| 60 | 57.0 | -0.30 | 2.15 | 4.5 | 1.50 | 2.00 | 55.8 | 75.6 | 71.8 | 7.4 | 5.8 | 2.5 | 13.69 | 97100 | 33900 | | | |
| 62 | 59.0 | +0.00 | 2.15 | 4.5 | 1.50 | 2.00 | 57.8 | 77.8 | 74.0 | 7.5 | 6.0 | 2.5 | 12.36 | 100000 | 35100 | | | |
| 63 | 60.0 | -0.30 | 2.15 | 4.5 | 1.50 | 2.00 | 58.8 | 79.0 | 75.2 | 7.6 | 6.2 | 2.5 | 13.10 | 102000 | 35600 | | | |
| 65 | 62.0 | +0.00 | 2.65 | 4.5 | 1.50 | 2.50 | 60.8 | 81.4 | 77.6 | 7.8 | 6.3 | 3.0 | 20.44 | 131000 | 36800 | | | |

| Shaft | | Groove (G) | | | | | | Circlip (F) | | | | | | | | | Wt. | Tc† | Tg† |
|-------|-------|------------|------|-------|------------|--------|------|-------------|-------|-------|-------|-------|------------|--------|------------|--------|---------|--------|-----|
| S | G | Tol. | W | Tol. | n (min) | d ~ | t | Tol. | D | Tol. | C | C1 | L (max) | b ~ | h (min) | (kg/k) | (N) | (N) | |
| 67 | 64.0 | | 2.65 | | 4.5 | 1.50 | 2.50 | | 62.5 | | 83.6 | 79.8 | 7.9 | 6.4 | 3.0 | 20.43 | 135000 | 37900 | |
| 68 | 65.0 | | 2.65 | | 4.5 | 1.50 | 2.50 | | 63.5 | | 84.4 | 81.0 | 8.0 | 6.5 | 3.0 | 19.55 | 138000 | 38500 | |
| 70 | 67.0 | | 2.65 | | 4.5 | 1.50 | 2.50 | | 65.5 | | 87.0 | 83.2 | 8.1 | 6.6 | 3.0 | 22.13 | 142000 | 39600 | |
| 72 | 69.0 | +0.00 | 2.65 | +0.14 | 4.5 | 1.50 | 2.50 | +0.00 | 67.5 | | 89.2 | 85.4 | 8.2 | 6.8 | 3.0 | 21.60 | 146000 | 40700 | |
| 75 | 72.0 | -0.30 | 2.65 | -0.00 | 4.5 | 1.50 | 2.50 | -0.07 | 70.5 | +0.46 | 92.7 | 88.8 | 8.4 | 7.0 | 3.0 | 24.65 | 152000 | 42400 | |
| 77 | 74.0 | | 2.65 | | 4.5 | 1.50 | 2.50 | | 72.5 | -1.10 | 94.9 | 91.0 | 8.5 | 7.2 | 3.0 | 24.26 | 156000 | 43500 | |
| 78 | 75.0 | | 2.65 | | 4.5 | 1.50 | 2.50 | | 73.5 | | 96.1 | 92.2 | 8.6 | 7.3 | 3.0 | 28.10 | 158000 | 44100 | |
| 80 | 76.5 | | 2.65 | | 5.3 | 1.75 | 2.50 | | 74.5 | | 98.1 | 93.7 | 8.6 | 7.4 | 3.0 | 26.68 | 162000 | 52800 | |
| 82 | 78.5 | | 2.65 | | 5.3 | 1.75 | 2.50 | | 76.5 | | 100.3 | 95.9 | 8.7 | 7.6 | 3.0 | 28.35 | 166000 | 54100 | |
| 85 | 81.5 | | 3.15 | | 5.3 | 1.75 | 3.00 | | 79.5 | | 103.3 | 98.9 | 8.7 | 7.8 | 3.5 | 35.40 | 206000 | 56100 | |
| 88 | 84.5 | +0.00 | 3.15 | | 5.3 | 1.75 | 3.00 | +0.00 | 82.5 | | 106.5 | 102.0 | 8.8 | 8.0 | 3.5 | 39.85 | 214000 | 58100 | |
| 90 | 86.5 | -0.35 | 3.15 | | 5.3 | 1.75 | 3.00 | -0.08 | 84.5 | | 108.5 | 104.0 | 8.8 | 8.2 | 3.5 | 38.89 | 218000 | 59400 | |
| 95 | 91.5 | | 3.15 | | 5.3 | 1.75 | 3.00 | | 89.5 | | 114.8 | 111.0 | 9.4 | 8.6 | 3.5 | 42.39 | 231000 | 62700 | |
| 98 | 94.5 | | 3.15 | | 5.3 | 1.75 | 3.00 | | 91.5 | | 118.6 | 114.0 | 9.8 | 9.0 | 3.5 | 54.00 | 238000 | 64700 | |
| 100 | 96.5 | | 3.15 | | 5.3 | 1.75 | 3.00 | | 94.5 | | 120.2 | 116.0 | 9.6 | 9.0 | 3.5 | 48.86 | 243000 | 66000 | |
| 102 | 98.0 | | 4.15 | | 6.0 | 2.00 | 4.00 | | 95.0 | +0.54 | 122.4 | 118.0 | 9.7 | 9.2 | 3.5 | 68.73 | 330000 | 76900 | |
| 105 | 101.0 | | 4.15 | | 6.0 | 2.00 | 4.00 | | 98.0 | -1.30 | 126.2 | 122.0 | 10.1 | 9.3 | 3.5 | 73.16 | 340000 | 79200 | |
| 108 | 104.0 | +0.00 | 4.15 | | 6.0 | 2.00 | 4.00 | | 100.0 | | 129.0 | 124.0 | 10.0 | 9.5 | 3.5 | 83.45 | 349000 | 81400 | |
| 110 | 106.0 | -0.54 | 4.15 | | 6.0 | 2.00 | 4.00 | | 103.0 | | 131.2 | 127.0 | 10.1 | 9.6 | 3.5 | 75.24 | 356000 | 82900 | |
| 115 | 111.0 | | 4.15 | | 6.0 | 2.00 | 4.00 | | 108.0 | | 137.3 | 133.0 | 10.6 | 9.8 | 3.5 | 78.65 | 327000 | 86700 | |
| 120 | 116.0 | | 4.15 | | 6.0 | 2.00 | 4.00 | | 113.0 | | 143.1 | 138.0 | 11.0 | 10.2 | 3.5 | 85.58 | 388000 | 90500 | |
| 125 | 121.0 | | 4.15 | | 6.0 | 2.00 | 4.00 | | 118.0 | | 149.0 | 144.0 | 11.4 | 10.4 | 4.0 | 99.62 | 404000 | 94200 | |
| 130 | 126.0 | | 4.15 | | 6.0 | 2.00 | 4.00 | | 123.0 | | 154.4 | 150.0 | 11.6 | 10.7 | 4.0 | 98.10 | 421000 | 98000 | |
| 135 | 131.0 | | 4.15 | | 6.0 | 2.00 | 4.00 | | 128.0 | | 159.8 | 155.0 | 11.8 | 11.0 | 4.0 | 113.40 | 437000 | 102000 | |
| 140 | 136.0 | | 4.15 | | 6.0 | 2.00 | 4.00 | +0.00 | 133.0 | | 165.2 | 160.0 | 12.0 | 11.2 | 4.0 | 119.18 | 453000 | 106000 | |
| 145 | 141.0 | | 4.15 | | 6.0 | 2.00 | 4.00 | -0.10 | 138.0 | | 170.6 | 166.0 | 12.2 | 11.5 | 4.0 | 128.53 | 470000 | 109000 | |
| 150 | 145.0 | | 4.15 | | 7.5 | 2.50 | 4.00 | | 142.0 | | 177.3 | 171.0 | 13.0 | 11.8 | 4.0 | 132.80 | 485000 | 141000 | |
| 155 | 150.0 | +0.00 | 4.15 | +0.18 | 7.5 | 2.50 | 4.00 | | 146.0 | +0.63 | 182.3 | 176.0 | 13.0 | 12.0 | 4.0 | 136.06 | 501000 | 146000 | |
| 160 | 155.0 | -0.63 | 4.15 | -0.00 | 7.5 | 2.50 | 4.00 | | 151.0 | | 188.0 | 182.0 | 13.3 | 12.2 | 4.0 | 137.50 | 518000 | 151000 | |
| 165 | 160.0 | | 4.15 | | 7.5 | 2.50 | 4.00 | | 155.5 | -1.50 | 193.4 | 187.0 | 13.5 | 12.5 | 4.0 | 151.96 | 534000 | 156000 | |
| 170 | 165.0 | | 4.15 | | 7.5 | 2.50 | 4.00 | | 160.5 | | 198.4 | 192.0 | 13.5 | 12.9 | 4.0 | 169.00 | 550000 | 160000 | |
| 175 | 170.0 | | 4.15 | | 7.5 | 2.50 | 4.00 | | 165.5 | | 203.4 | 197.0 | 13.5 | 12.9 | 4.0 | 173.70 | 566000 | 165000 | |
| 180 | 175.0 | | 4.15 | | 7.5 | 2.50 | 4.00 | | 170.5 | | 210.0 | 204.0 | 14.2 | 13.5 | 4.0 | 188.00 | 582000 | 170000 | |
| 185 | 180.0 | | 4.15 | | 7.5 | 2.50 | 4.00 | | 175.5 | | 215.2 | 209.0 | 14.3 | 13.5 | 4.0 | 193.00 | 598000 | 174000 | |
| 190 | 185.0 | | 4.15 | | 7.5 | 2.50 | 4.00 | | 180.5 | | 220.0 | 214.0 | 14.2 | 14.0 | 4.0 | 203.00 | 615000 | 179000 | |
| 195 | 190.0 | | 4.15 | | 7.5 | 2.50 | 4.00 | | 185.5 | | 225.0 | 219.0 | 14.2 | 14.0 | 4.0 | 209.50 | 631000 | 184000 | |
| 200 | 195.0 | | 4.15 | | 7.5 | 2.50 | 4.00 | | 190.5 | | 230.0 | 224.0 | 14.2 | 14.0 | 4.0 | 214.00 | 647000 | 188000 | |
| 205 | 199.0 | +0.00 | 5.15 | | 9.0 | 3.00 | 5.00 | | 193.0 | | 235.0 | 228.0 | 14.2 | 14.0 | 4.0 | 278.00 | 721000 | 232000 | |
| 210 | 204.0 | -0.72 | 5.15 | | 9.0 | 3.00 | 5.00 | | 198.0 | +0.72 | 240.0 | 233.0 | 14.2 | 14.0 | 4.0 | 285.00 | 739000 | 238000 | |
| 220 | 214.0 | | 5.15 | | 9.0 | 3.00 | 5.00 | | 208.0 | -1.70 | 250.0 | 243.0 | 14.2 | 14.0 | 4.0 | 298.50 | 775000 | 249000 | |
| 230 | 224.0 | | 5.15 | | 9.0 | 3.00 | 5.00 | +0.00 | 218.0 | | 260.0 | 253.0 | 14.2 | 14.0 | 4.0 | 312.00 | 809000 | 260000 | |
| 240 | 234.0 | | 5.15 | | 9.0 | 3.00 | 5.00 | -0.12 | 228.0 | | 270.0 | 263.0 | 14.2 | 14.0 | 4.0 | 326.00 | 844000 | 271000 | |
| 250 | 244.0 | | 5.15 | | 9.0 | 3.00 | 5.00 | | 238.0 | | 280.0 | 272.0 | 14.2 | 14.0 | 4.0 | 340.00 | 880000 | 283000 | |
| 260 | 252.0 | | 5.15 | | 12.0 | 4.00 | 5.00 | | 245.0 | | 294.0 | 285.0 | 16.2 | 16.0 | 5.0 | 414.00 | 915000 | 392000 | |
| 270 | 262.0 | | 5.15 | | 12.0 | 4.00 | 5.00 | | 255.0 | | 304.0 | 295.0 | 16.2 | 16.0 | 5.0 | 430.50 | 950000 | 407000 | |
| 280 | 272.0 | +0.00 | 5.15 | | 12.0 | 4.00 | 5.00 | | 265.0 | +0.81 | 314.0 | 305.0 | 16.2 | 16.0 | 5.0 | 446.50 | 985000 | 422000 | |
| 290 | 282.0 | -0.81 | 5.15 | | 12.0 | 4.00 | 5.00 | | 275.0 | -2.00 | 324.0 | 315.0 | 16.2 | 16.0 | 5.0 | 463.00 | 1020000 | 437000 | |
| 300 | 292.0 | | 5.15 | | 12.0 | 4.00 | 5.00 | | 285.0 | | 334.0 | 325.0 | 16.2 | 16.0 | 5.0 | 479.00 | 1056000 | 452000 | |
| 310 | 300.0 | | 6.20 | | 15.0 | 5.00 | 6.00 | | 293.0 | | 352.2 | 341.0 | 20.2 | 20.0 | 6.0 | 710.50 | 1309000 | 584000 | |
| 320 | 310.0 | | 6.20 | | 15.0 | 5.00 | 6.00 | | 303.0 | | 362.2 | 351.1 | 20.2 | 20.0 | 6.0 | 734.00 | 1351000 | 603000 | |
| 330 | 320.0 | | 6.20 | +0.22 | 15.0 | 5.00 | 6.00 | | 313.0 | | 372.2 | 361.0 | 20.2 | 20.0 | 6.0 | 757.00 | 1393000 | 622000 | |
| 340 | 330.0 | | 6.20 | -0.00 | 15.0 | 5.00 | 6.00 | | 323.0 | +0.00 | 382.2 | 371.0 | 20.2 | 20.0 | 6.0 | 780.00 | 1436000 | 641000 | |
| 350 | 340.0 | | 6.20 | | 15.0 | 5.00 | 6.00 | | 333.0 | | 392.2 | 381.0 | 20.2 | 20.0 | 6.0 | 805.00 | 1478000 | 660000 | |
| 360 | 350.0 | +0.00 | 6.20 | | 15.0 | 5.00 | 6.00 | | 343.0 | -0.18 | 402.2 | 391.0 | 20.2 | 20.0 | 6.0 | 827.00 | 1520000 | 679000 | |
| 370 | 360.0 | -0.89 | 6.20 | | 15.0 | 5.00 | 6.00 | | 353.0 | | 412.2 | 401.0 | 20.2 | 20.0 | 6.0 | 850.00 | 1562000 | 697000 | |
| 380 | 370.0 | | 6.20 | | 15.0 | 5.00 | 6.00 | | 363.0 | | 422.2 | 411.0 | 20.2 | 20.0 | 6.0 | 873.00 | 1604000 | 716000 | |
| 390 | 380.0 | | 6.20 | | 15.0 | 5.00 | 6.00 | | 373.0 | | 432.2 | 421.0 | 20.2 | 20.0 | 6.0 | 896.00 | 1646000 | 735000 | |
| 400 | 390.0 | | 6.20 | | 15.0 | 5.00 | 6.00 | | 383.0 | | 442.2 | 431.0 | 20.2 | 20.0 | 6.0 | 919.00 | 1689000 | 754000 | |