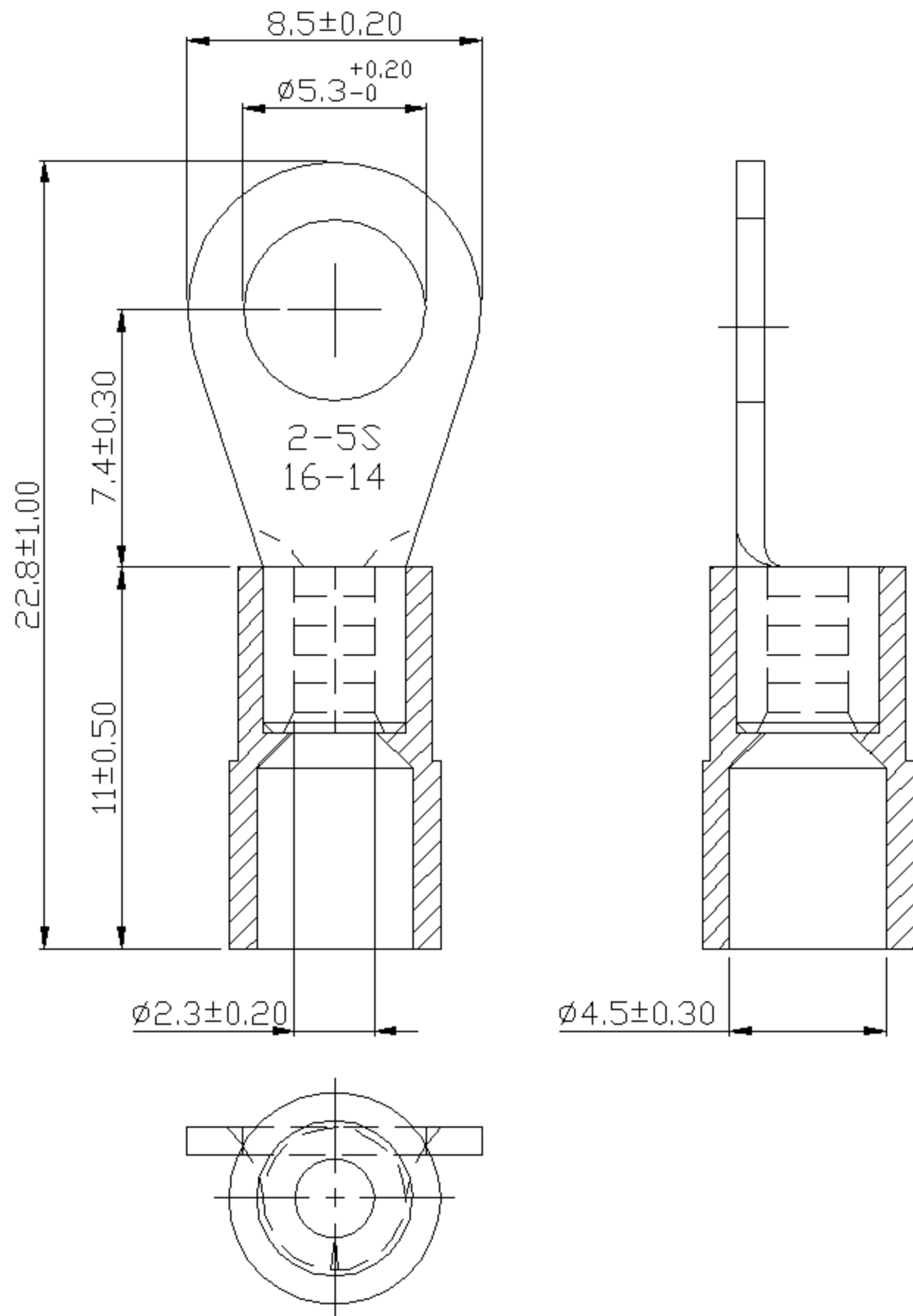


A B C D E F G H

REV	DESCRIPTION	DATE
-----	-------------	------



NOTE:

- MAXIMUM ELECTRIC CURRENT : 

A.W.G.	16	14	
AMP.	18	30	
- MAXIMUM ELECTRICAL RATING : 75°C 600 VOLTS MAX.
- INSULATION MATERIAL : VINYL
- INSULATION COLOR : BLUE
- TERMINAL MATERIAL : COPPER
- WIRE RANGE : 16-14 A.W.G.( 1.5-2.5 mm<sup>2</sup>)
- TERMINALS SURFACE TREATMENT : TIN PLATED
- TERMINALS THICKNESS : 0.80 mm



Tolerance Unless Otherwise Specified	
0 > 6 mm ± 0.20	ANGLE
6 > 18 mm ± 0.30	0° REF ±
18 > 30 mm ± 0.40	±
30 > 75 mm ± 0.50	±
UNIT	

PART NO.	RVYS2-5@	MATERIAL	-----	APPROVE	
NUMBER	KA-951007-C	SCALE	SHEET	PAGE	CHECKED
DATE	2006/08/29	4/1	1-0	20F2	DRAWN 張馨尹