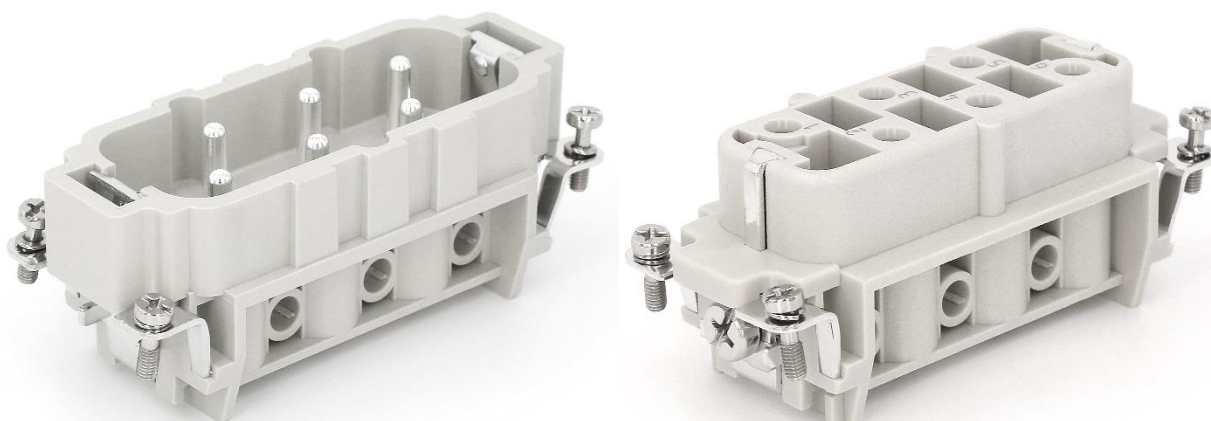


Datasheet

RS PRO RS-HSB Heavy Current Inserts



The RS PRO Heavy-Duty Connector series is a full range of heavy-duty inserts, housings, crimps and accessories. The inserts are all made from Polycarbonate to industry standard sizes and are available in a choice of screw, crimp or spring clam terminations in a large variety of current ratings. Modular inserts are also offered allowing for maximum versatility when designing a system. These connectors have been created for applications that are subjected to harsh environments or where high vibration can cause standard connectors to fail. This makes them ideal for food & beverage manufacturing, packaging machines, conveyor belt systems, railway, oil & gas processing and other industrial automation. The entire range of connectors are RoHS compliant and as with all RS PRO products, offer exceptional value for money.

Features & Benefits:

- Heavy Current Inserts
- 6 & 12 Poles
- Screw Termination
- AWG 10
- 35A
- Polycarbonate Body
- 12 Pole = 6 Pole 1-6 & 7-12 for RS PRO H32B Series Housing

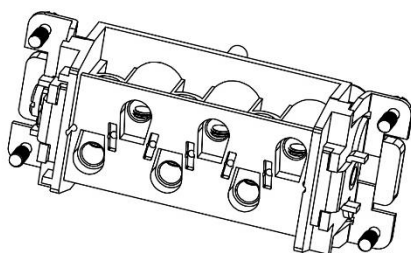
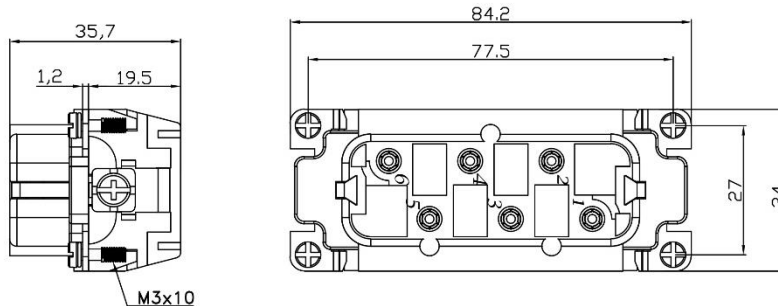
Quality Standards



Dimensional line drawings

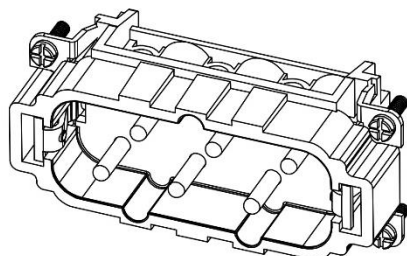
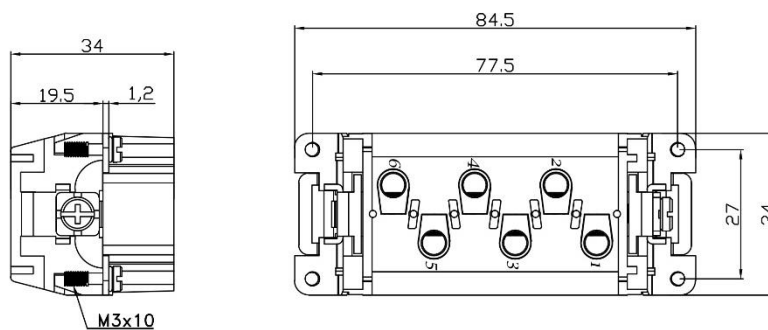
6 Pole Female Screw (1-6) 35A 400V for RS PRO H16B series Housing

208-4611



6 Pole Male Screw (1-6) 35A 400V for RS PRO H16B series Housing

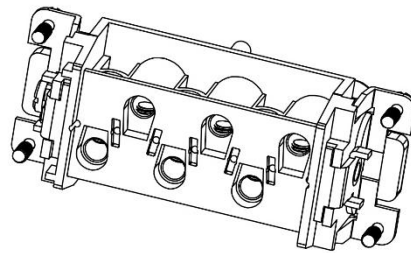
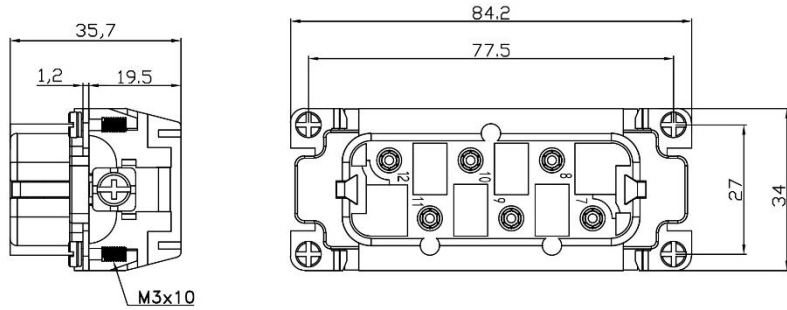
208-4613



Dimensional line drawings

6 Pole Female Screw (7-12) 35A 400V for RS PRO H32B series Housing

208-4614



6 Pole Male Screw (7-12) 35A 400V for RS PRO H32B series Housing

208-4615

