

Anti -Vibration Pedestal Mount



Product Details:

The KPR is a captive flanged mount with a rubber element designed to take vertical load applied in both shear and compression to give maximum isolation from vibrating equipment

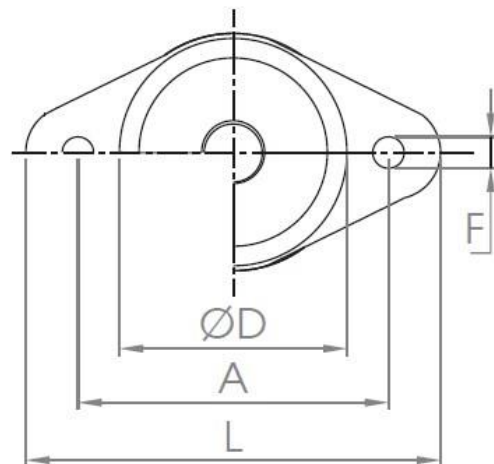
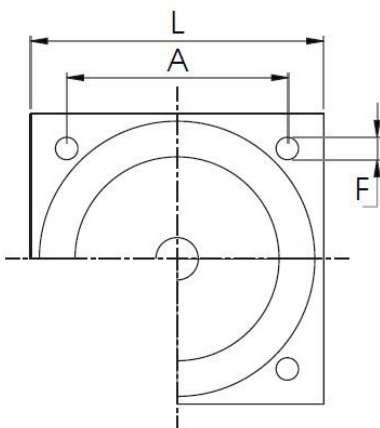
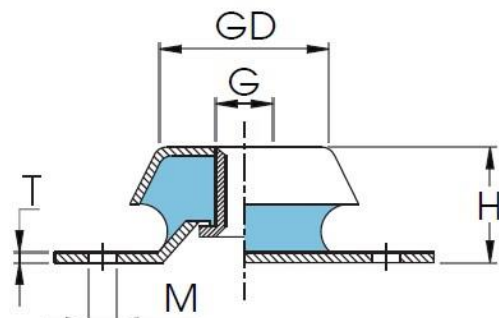
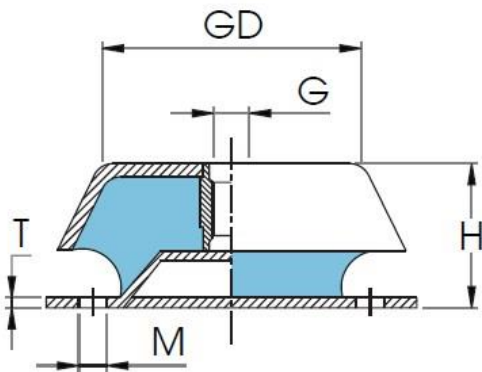
Features:

- Compact design with inbuilt bump and rebound control feature to control movement of equipment in transit
- Dome shaped metal cap protects the elastomer against splashes of oil and fuel contamination
- Compression design and metal cap effectively eliminate airborne noise when compared to spring mountings
- Thick base flange metal to give added strength
- Low height captive mounting capable of taking loads of 40kg to 5000kg

Applications:

- Static and mobile generators sets • Pumps, compressors, centrifugal fans and blowers
- Railway equipment compartments • Marine engines (no thrust) and gearboxes
- Electronic control panels

Line Drawing -





Dimensions in Millimetre's (mm)

RS Code	Polymax part number	Description	L	H	A	F(m)	D	GD	S	G	Max. Load kg	Deflection mm
1623214	KPR13044M12-2	Failsafe Rubber Mount 110x35 M12 60 ShA NR	130	44	110	10	92		3	M12	360	6
1623215	KPR13044M12-1	Failsafe Rubber Mount 110x35 M12 45 ShA NR	130	44	110	10	92		3	M12	290	6
1623218	KPR12035M10-2	Failsafe Rubber Mount 120x35 M10 60 ShA NR	120	35	100	11	63.5	47	2	M10	118	4
1623230	KPR18086M20-1	Failsafe Rubber Mount 190x50 M16 45 ShA NR	190	86	146	14.5	180	141	5	M20	900	15
1623232	KPR17238M12-1	Failsafe Rubber Mount 172x38 M12 45 ShA NR	172	38	138	14	106	81	3	M12	240	3.5
1623221	KPR17238M12-2	Failsafe Rubber Mount 172x38 M12 60 ShA NR	172	38	138	14	106	81	3	M12	663	3.2

