

Datasheet

RS Pro Shielded Power Inductors



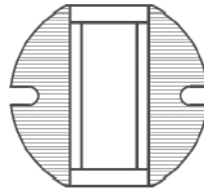
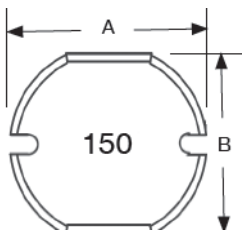
Features:

- High Current, small size (Up to 4 Amps)
- Surface mountable construction
- High inductance (Up to 820 μ H)
- Taped and reeled for automatic insertion
- For use in DC/DC converters, DC/AC inverters
- Pb-Free compatible

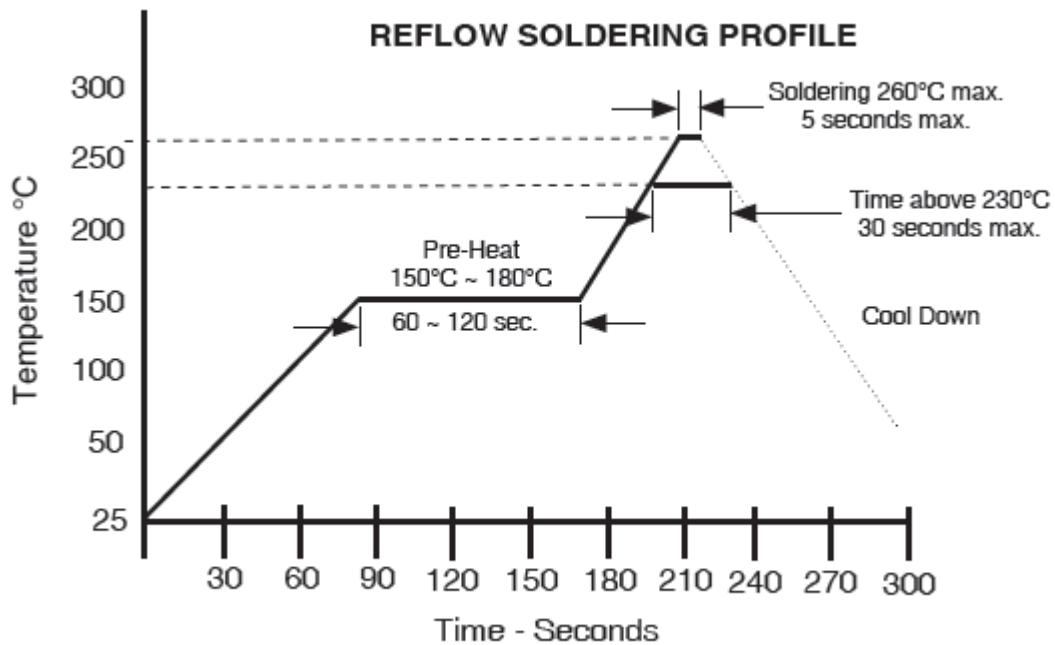
Case Size	54 / 75
Inductance Range	1.5 ~ 820 μ H
Inductance Tolerance	10% (K), 20% (M)
Ambient Operating Temperature Range	-40°C ~ +85°C*
Maximum Component Temperature (Ambient + Self-Heating)	+125°C*
Inductance Change at Isat	-30% max.
Temperature Raise at Irms	+40°C max.
Resistance to Solder Heat	260°C for 10 seconds

Dimensions:

Size	A	B	C	G (Ref)	H (Ref)	I (Ref)
54	5.80 ± 0.3	5.20 ± 0.3	4.50 ± 0.3	1.7	5.5	2.15
75	7.80 ± 0.3	7.00 ± 0.3	5.00 ± 0.5	2.0	7.5	3.0



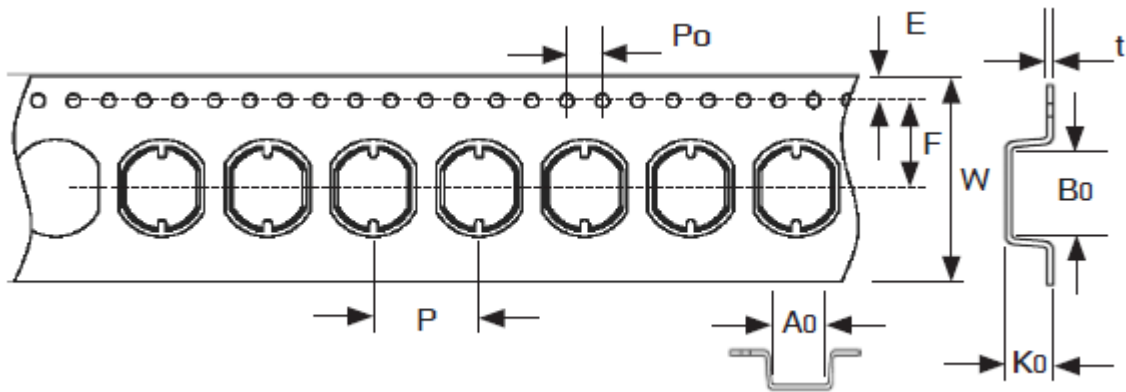
Termination Plating
Sn 96.5% - Ag 3.0% - Cu 0.5%



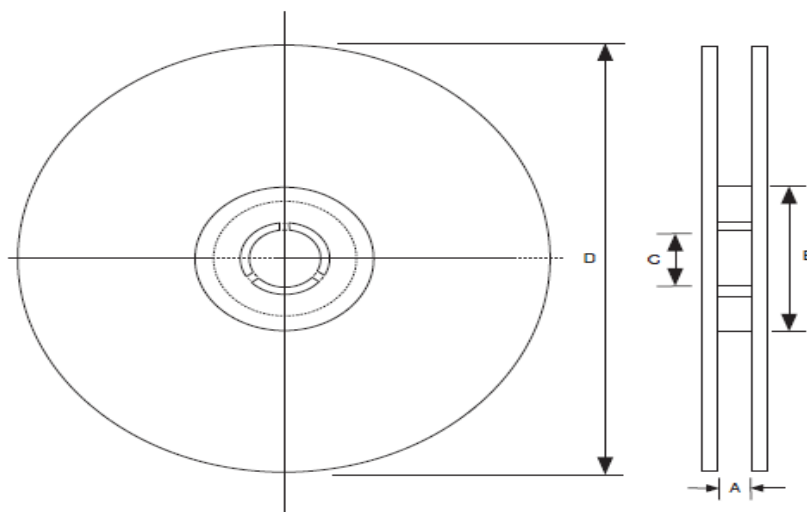
Stock No.	STANDARD VALUES – CASE SIZE 54 (5.8 x 5.2 x 4.5mm)			
	Inductance Value (μ H)	DC Resistance (Ω)	DC Current Isat/Irms (Amps)	Test Frequency
7409536	1.8 \pm 20%	0.025	3.0	1KHz
7409542	3.3 \pm 20%	0.04	2.5	100KHz
7409564	10 \pm 20%	0.09	1.8	1KHz
7409574	22 \pm 20%	0.18	1.3	1KHz
7409592	56 \pm 10%	0.40	0.80	1KHz
7409599	47 \pm 10%	0.35	0.85	1KHz
7409603	120 \pm 10%	0.75	0.60	1KHz
7409606	82 \pm 10%	0.50	0.70	1KHz
7409609	100 \pm 10%	0.70	0.60	1KHz
7409619	220 \pm 10%	1.2	0.40	1KHz
7409625	390 \pm 10%	3.5	0.20	1KHz

Stock No.	STANDARD VALUES – CASE SIZE 75 (7.8 x 7.0 x 5.0mm)			
	Inductance Value (μ H)	DC Resistance (Ω)	DC Current I _{sat} /I _{rms} (Amps)	Test Frequency
7409684	100 \pm 10%	0.43	0.72	1KHz
7409681	150 \pm 10%	0.64	0.58	1KHz
7409690	180 \pm 10%	0.71	0.51	1KHz
7409659	22 \pm 20%	0.11	1.5	1KHz
7409693	220 \pm 10%	0.96	0.49	1KHz
7409653	27 \pm 20%	0.12	1.3	1KHz
7409697	270 \pm 10%	1.11	0.42	1KHz
7409662	33 \pm 20%	0.13	1.2	1KHz
7409707	330 \pm 10%	1.26	0.40	1KHz
7409669	47 \pm 10%	0.18	1.1	1KHz
7409704	470 \pm 10%	1.96	0.34	1KHz
7409671	68 \pm 10%	0.28	0.85	1KHz

Chip Size	CARRIER TAPE DIMENSIONS (mm)								
	Bo	Ao	Ko	P	W	E	F	Po	t
54	6.1±0.1	5.6±0.1	4.8±0.1	8.0±0.1	12.0±0.1	1.75±0.1	5.5±0.1	4.0±0.1	0.40±0.05
75	8.1±0.1	7.3±0.1	5.3±0.1	12.±0.1	16.0±0.1		7.5±0.1		0.40±0.05



Tape Width	REEL DIMENSIONS (12mm)			
	A(mm)	B(mm)	C(mm)	D(mm)
12mm	13.5 ± 0.5	100±1	13±0.5	330
16mm	16.5 ± 0.5			



Size	REEL QUANTITY PER CASE SIZE	
	54	75
Quantity per reel	1,500	1,000
Tape Width	12mm	16mm