

RS PRO Photoelectric Sensor

RS Stock No.: 202-4479, 202-4481

FEATURES

- Polarized retro reflection working principle;
- Suitable for detecting transparent or high reflective target;
- High detection accuracy
- Bracket Included:
58*60*22mm



RS Professionally Approved Products bring to you professional quality parts across all product categories. Our product range has been tested by engineers and provides a comparable quality to the leading brands without paying a premium price.

Part Number Description

Part number	Sensing distance	Light source	Output	Connection
202-4479	5m (adjustable)	Red LED (650nm)	Relay	2m PVC cable
202-4481	5m (adjustable)	Red LED (650nm)	Relay	M12 connector

General Specifications

Detection Type	Polarized retro reflection
Standard target	TD-09 reflector
Detection target	Transparent, semi-transparent, and opaque object
Repeat accuracy [R]	≤5%
Response time	≤10ms
Output Indicator	Yellow LED
Ambient temperature	-25°C...55 °C
Ambient humidity	35~85%RH (non-condensing)
Voltage withstand	2000V/AC 50/60Hz 60s
Insulation resistance	≥50MΩ(500VDC)
Vibration resistance	10...50Hz (0.5mm)

Electrical Specifications

Operating Supply Voltage	24...240 VAC/DC
Current Consumption	≤35mA
Residual voltage
Load Current	≤3A
Circuit Protection	NO

Mechanical Specifications

Body Style	Block
Mounting Type	Screw
Housing Material	PC/ABS
Dimensions	50*50*18mm
Gross Weight	165g (connector type) /245g (cable type)

Photoelectric Sensors

Protection Category

IP Rating

IP67

Additional Information

Custom Tariff Number/HS code

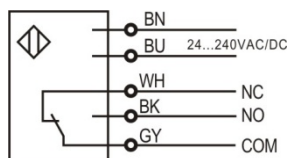
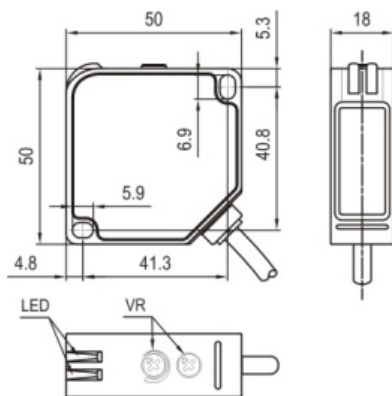
903180

Approvals

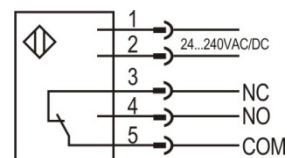
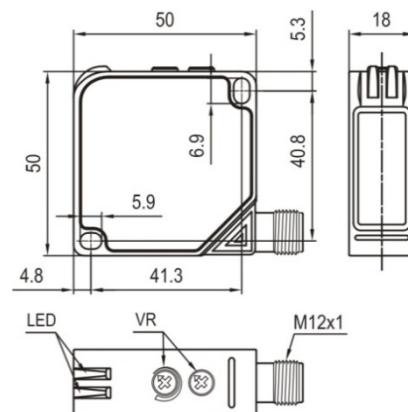
Compliance/Certifications

CE

Dimension and Wiring



Cable



Connector

