

FEATURES

- 18mm threaded cylinder mounting or side mounting optional;
- IP67, suitable for harsh environments;
- 360° bright LED status indicator;
- Large angle, long distance, easy installation and commissioning;
- Emitter and receiver should be used in pair.
- Bracket Included:
33*30*14mm

RS PRO Photoelectric Sensor

RS Stock No.: 202-4461, 202-4462,
202-4463, 202-4464, 202-4465, 202-4466



Representative images only

RS PRO Professionally Approved Products bring to you professional quality parts across all product categories. Our product range has been tested by engineers and provides a comparable quality to the leading brands without paying a premium price.

Part Number Description

Part number	Sensing distance	Light source	Output	Connection
202-4461	20m (adjustable)	Infrared (850nm)		2m PVC cable
202-4463	20m (adjustable)	Infrared (850nm)	NPN NO/NC	2m PVC cable
202-4465	20m (adjustable)	Infrared (850nm)	PNP NO/NC	2m PVC cable
202-4462	20m (adjustable)	Infrared (850nm)		M12 connector
202-4464	20m (adjustable)	Infrared (850nm)	NPN NO/NC	M12 connector
202-4466	20m (adjustable)	Infrared (850nm)	PNP NO/NC	M12 connector

General Specifications

Detection Type	Through beam reflection
Rated distance	0.3...20mm
Standard target	> Φ 15mm opaque object
Direction angle	>4°
Response Time	≤1ms
Indicator	Green light: power indicator Yellow light: output, overload or short circuit (flashing)
Ambient Temperature	-15°C...60 °C
Ambient humidity	35...95%RH (Non-condensing)
Anti-ambient light	Anti-sunlight interference ≥ 10,000lux; Incandescent light interference ≥ 3,000lux
Distance adjustment	Single-turn potentiometer

Electrical Specifications

Operating Supply Voltage	10...30 VDC
Current Consumption	≤15mA (Emitter), ≤18mA (Receiver)
Residual voltage	≤1V (Receiver)
Load Current	≤200mA
Voltage withstand	1000V/AC 50/60Hz 60s
Insulation resistance	≥50M Ω (500VDC)
Vibration resistance	10...50Hz (0.5mm)
Reverse Polarity Protection	YES
Overload Protection	YES
Short Circuit Protection	YES

Mechanical Specifications

Body Style	Block
Mounting Type	18mm threaded cylinder mounting or side mounting
Housing Material	ABS
Lens/Face Material	PMMA
Dimensions	31*35*15mm
Gross Weight	50g (connector type) / 95g (cable type)

Protection Category

IP Rating	IP67
------------------	------

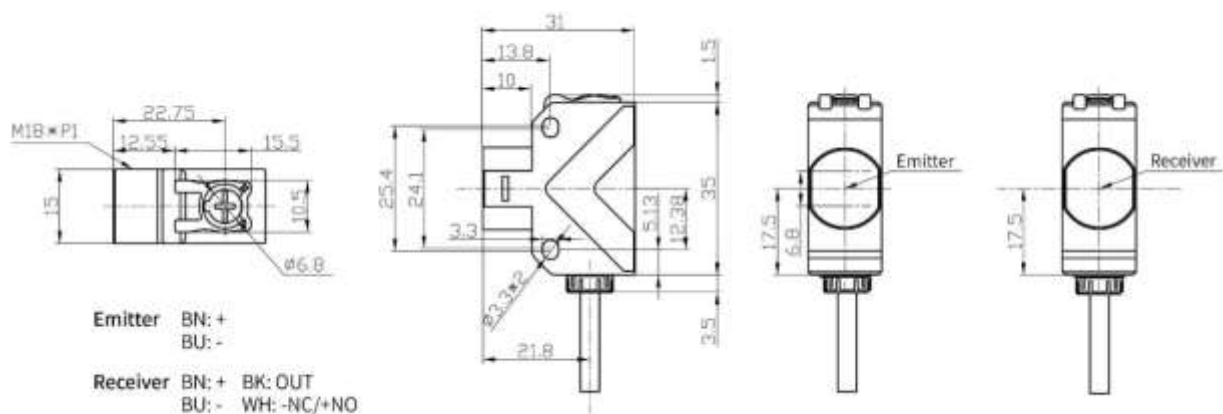
Additional Information

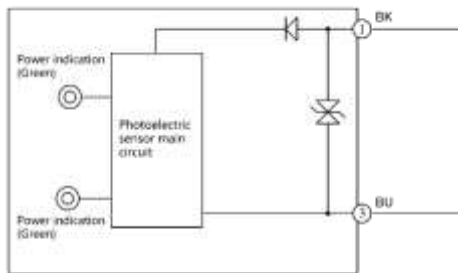
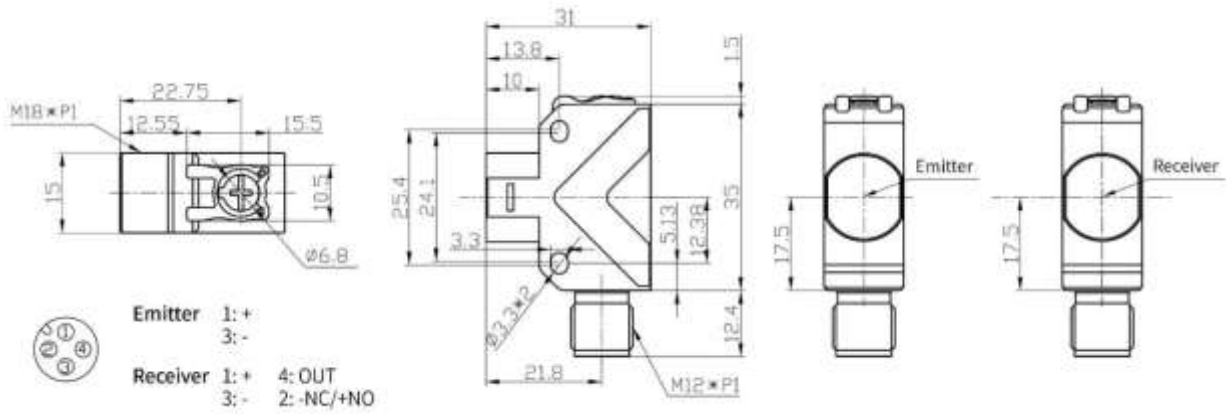
Custom Tariff Number/HS code	903180
NO/NC adjustment	NO: white line is connected to the positive electrode; NC: white line is connected to the negative electrode.

Approvals

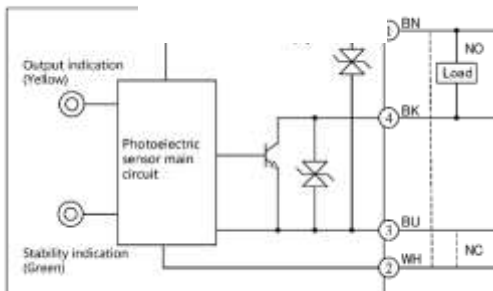
Compliance/Certifications	CE
----------------------------------	----

Dimension and Wiring

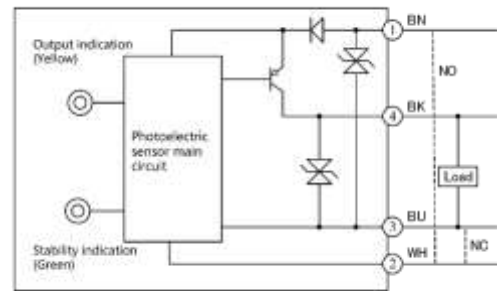




Emitter



Receiver NPN



Receiver PNP



2024461 - cable
2024463 - cable
2024465 - cable



2024462 - connector
2024464 - connector
2024466 - connector