



Datasheet

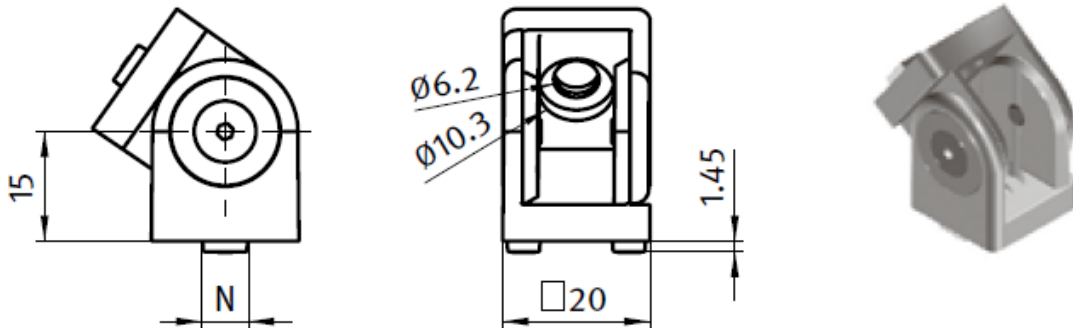
RS PRO Pivot Joint

Stock number: 180-9134

EN

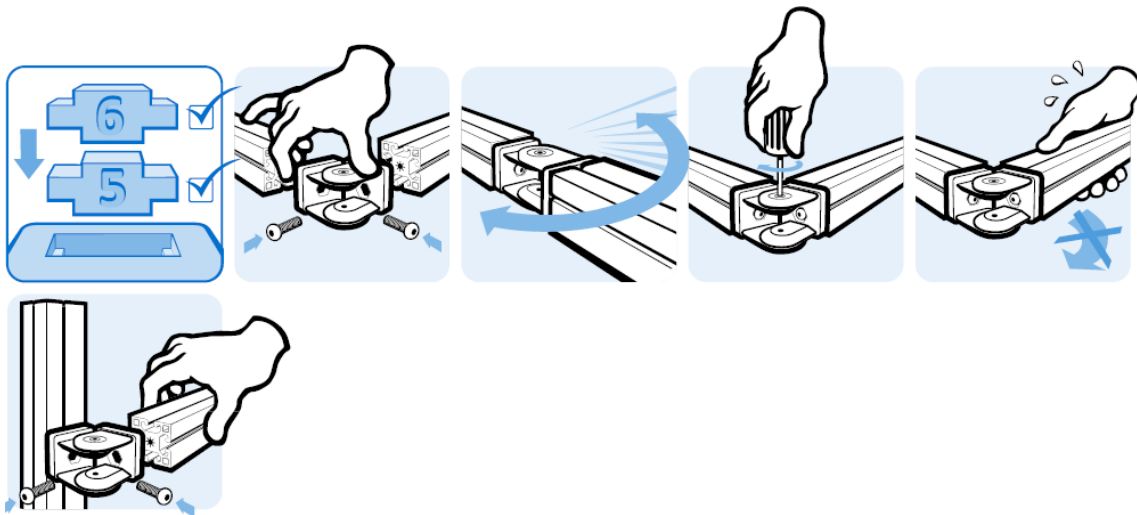
Description To make a pivoting connection between two profiles or panel; with separate locating pins for slot 5 and slot 6; by tightening or loosening the screws you can seamlessly regulate the functionality of the joint or you can fix in one position, for Slot 5

Material Aluminium die-cast



RS Article no.	Product description	Opening angle	N	Weight [g]
1809134	Pivot joint 20	190°	5, 6	18.0





RS Article no.	Product description	Compatible with groove size	Product system	Structural element type
1809134	Pivot joint 20	5, 6	20	Connecting Bracket & Joint