

Datasheet

RS Pro Black Polymer Hand Wheel

Stock No: 170-727



Product Details:

Two-spoke High-impact Polymer

Matt black

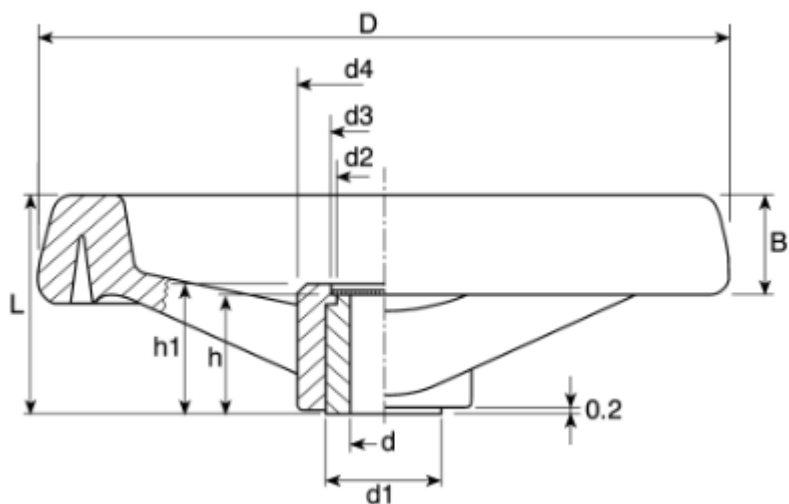
Steel insert with standard H7 tolerance hole

Resistant to oils, greases and most industrial chemicals.

Supplied with self adhesive aluminium cap

Specifications:

Handle	None
Spoked	Yes
Wheel Diameter	80mm
Mounting Hole Diameter	8mm
Mounting Hole Depth	17mm
Drilled Hub	Yes
Wheel Material	Polymer
Insert Material	Steel
Colour	Black



Dimensions (mm)									
Stock no	D	L	B	d1	d2	d3	d4	h1	insert
170-727	80	35	18	18	16	17	23	19	8 dia. x 17
170-733	99	37	20	18	16	17	25	19	10 dia. x 17
170-749	124	44	22	22	20	21	31	25	12 dia. x 22
170-755	160	51	25	26	24	25	40	29	14 dia. x 27