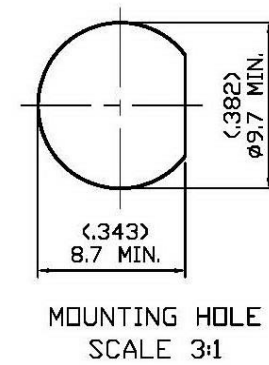
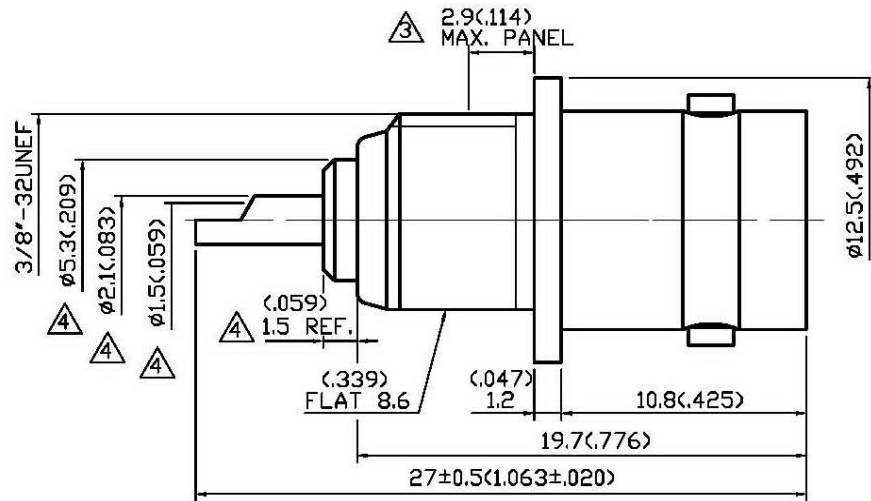


NO	DESCRIPTION	DATE
①	BACKGROUND FORMAT UPDATED CENTER CONTACT DIRCTION MODIFY	03.16.04'
②	BACKGROUND FORMAT UPDATED	08.11.09'
③	DEL PROOF VOLTAGE WORKING VOLTAGE ADD 2.9 MAX. PANEL VOLTAGE RATING	04.17.13'
④	ADD 1.5 REF., Ø5.3, Ø2.1, Ø1.5	01.06.15'



### 1.0 ELECTRICAL

- 1.1 FREQUENCY RANGE: DC-1 GHz
- 1.2 NOMINAL IMPEDANCE: 75 OHMS
- 1.3 VOLTAGE RATING: 500 VOLTS MAX. ③

### 2.0 MATERIALS

- 2.1 BODIES: BRASS PER JIS-C3604
- 2.2 CENTER CONTACT: BERYLLIUM COPPER PER ASTM B196 UNS C17300
- 2.3 INSULATION: TEFLON PER ASTM D1457 AND ASTM D1710

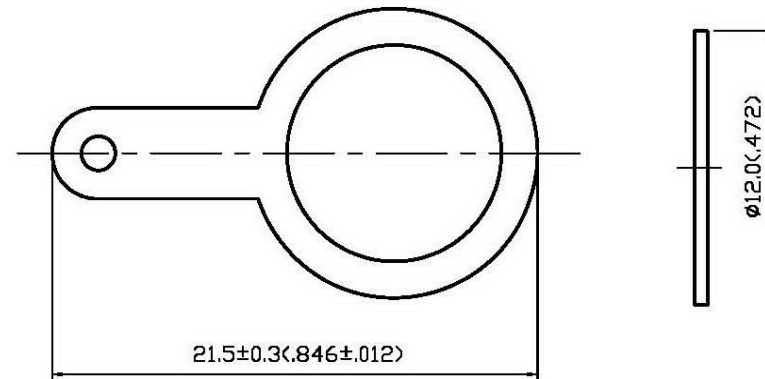
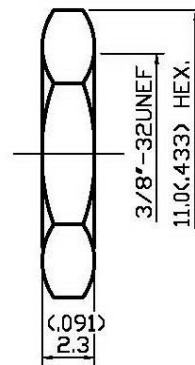
### 3.0 FINISHES AND OTHERS

- 3.1 SEE BELOW TABLE FOR DETAILS.

### 4.0 ENVIRONMENTAL

- 4.1 OPERATING TEMPERATURE RANGE: -65° C TO +165° C

NO	DESCRIPTION	MATERIAL	Q'TY	FINISH
7	INSULATION	TEFLON	1	NONE
6	BODY	BRASS	1	SILVER 70µ" MIN.
5	CENTER CONTACT	BERYLLIUM COPPER	1	SILVER 70µ" MIN.
4	INSULATION	TEFLON	1	NONE
3	GROUNDING TAB	BRASS	1	SILVER 70µ" MIN.
2	NUT	BRASS	1	SILVER 70µ" MIN.
1	WASHER	BRASS	1	SILVER 70µ" MIN.



APPROVED by \_\_\_\_\_ DATE: \_\_\_\_\_



DESCRIPTION		BNC STRAIGHT BULKHEAD JACK RECEPTACLE	
製圖	DRAWN <i>Kristina</i>	TOLERANCE	品名 13-25 T.S.S ROHS COMPLIANT <75Ω>
檢圖	CHECK <i>Arc</i>	單位	DATE 12.02.92'
認定	APPROVAL <i>Jenny</i>	比例	版次 A-4
		SCALE	REV. A-4
		DWG.NO.	13-0300