

Datasheet

RS Pro DC axial fan, 30x10mm 5.61cu.m/h 5V

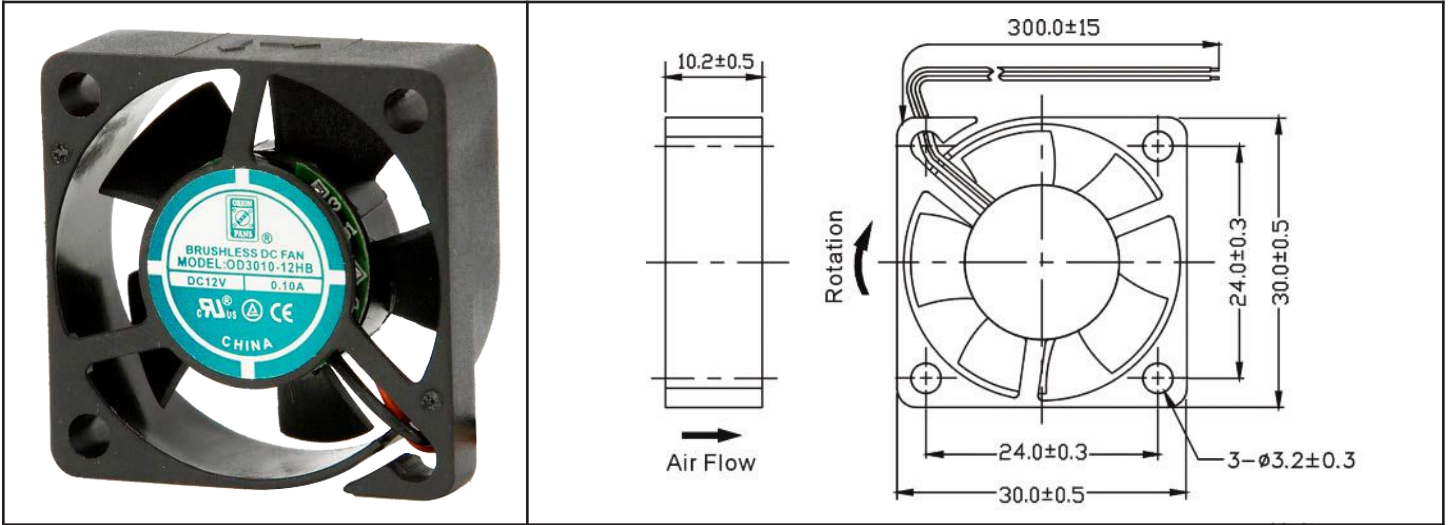
OD3010 Series

DC Fan - 5V, 12V
30 x 10mm (1.18 x .39in)



Model#	Pg#	Voltage	RPM	CFM	Noise Level	Max Static Pressure
OD3010-05H	2	5 VDC	10000	4.6	31 dB	.20 H ₂ O
OD3010-12H	2	12 VDC	10000	4.6	31 dB	.20 H ₂ O
OD3010-12M	2	12 VDC	9000	4.0	27 dB	.17 H ₂ O
OD3010-12L	2	12 VDC	7000	3.5	25 dB	.11 H ₂ O
OD3010-05MB	3	5 VDC	9000	4.0	30 dB	.17 H ₂ O
OD3010-05MB02A	4	5 VDC	9000	4.0	30 dB	.17 H ₂ O
OD3010-12MB02A	5	12 VDC	9000	4.0	27 dB	.17 H ₂ O

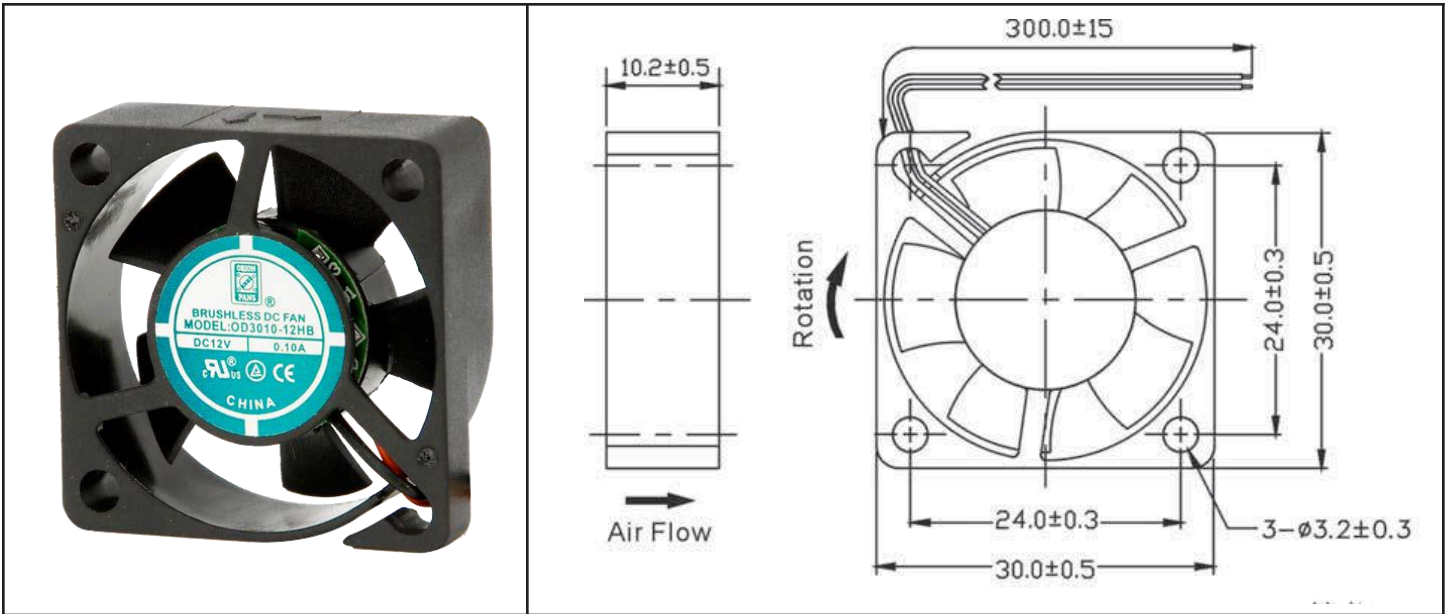
** For some models and part numbers, minimum order quantities may apply.



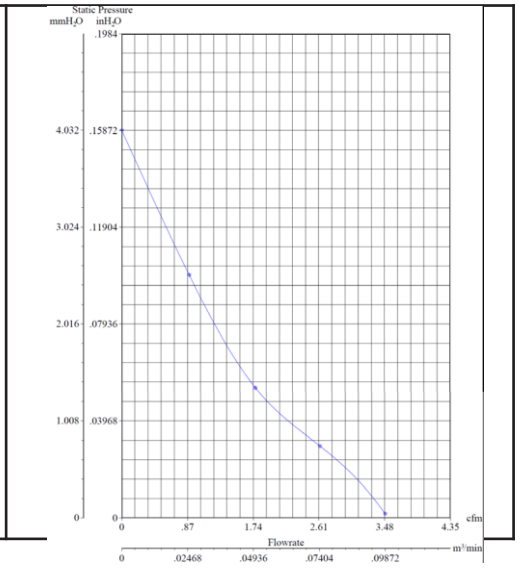
Frame & Impeller Connection	PBT, UL94V-O plastic 2x Lead wires 28AWG	Available Options: Tachometer Alarm Life Expectancy (L10) Ball - 60,000 hrs (45C) Sleeve - 30,000 hrs (45C) Operating Temperature Ball: -20 ~ 75C Sleeve: -10 ~ 60C Weight: ~ 0.02 lbs m4	
Motor	Brushless DC, auto restart, impedance and polarity protected		
Bearing System	Ball bearing or Sleeve		
Insulation Resistance	10M ohm between leadwire and frame (500VDC)		
Dielectric Strength	1 second at 500 VAC, max leakage - 500 MicroAmp		
Storage Temperature	-40C ~ +80C		

Model Number	Speed (RPM)	Airflow (CFM)	Noise (dB)	Volts DC	Voltage Range (VDC)	Amps	Max. Static Pressure ("H2O)
OD3010-05H *	10000	4.6	31	05	4.5~5.5	0.17	0.20
OD3010-12H *	10000	4.6	31	12	9~13.2	0.10	0.20
OD3010-12M *	9000	4.0	27	12	9~13.2	0.09	0.17
OD3010-12L *	7000	3.0	20	12	9~13.2	0.06	0.11

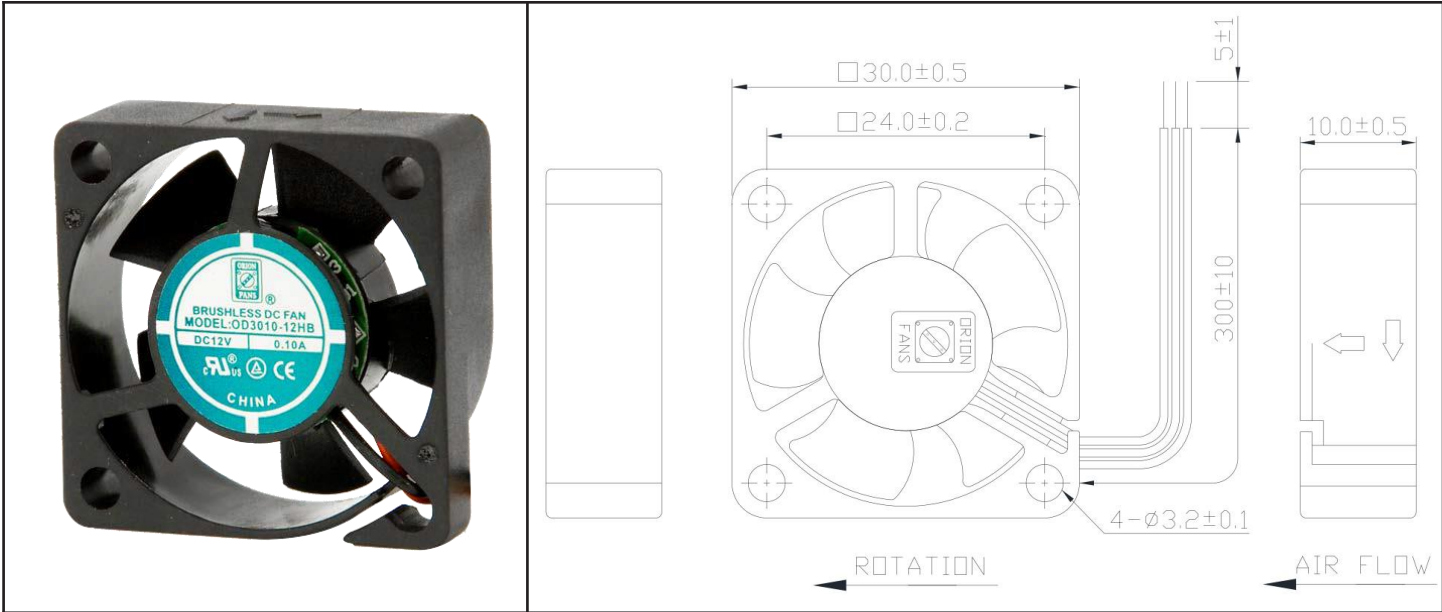
* Indicate "B" for ball bearing or "S" for sleeve bearing



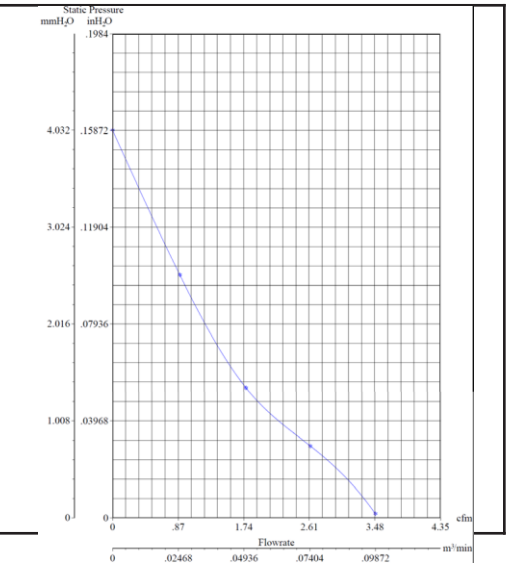
Frame & Impeller	PBT, UL94V-0 plastic	Available Options IP55 Other speeds and voltages Tachometer Alarm
Connection	2x Lead wires *	
Motor	Brushless DC, auto restart, polarity protected.	*Connection: Wire Leads - UL1007 28AWG Red(+), Black (-) Weight: 8 g
Bearing System	Dual ball bearing	
Insulation Resistance	Min. 10M at 500VDC	
Dielectric Strength	1 second at 500VAC max leakage 500 microamp	
Temperature Range	-20C ~ +75C	
Storage Temperature	-40C ~ +80C	
Life (L10)	60,000 hours (40C)	



Model Number	OD3010-05MB
Part Number	130531001
Nominal Voltage	5 VDC
Voltage Range	4.5 ~ 5.5 VDC
Nominal Current	.08 A
Rated Power	.40 Watts
Rated Speed (RPM)	9000
Airflow (CFM)	4.0
Noise Level (dB)	30
Max. Static Pressure	.17 "H ₂ O



Frame & Impeller	PBT, UL94V-0 plastic	Available Options IP55 Other speeds and voltages Tachometer *Connection: Wire Leads - UL1007 28AWG Red(+), Black (-) Alarm Yellow Weight: 8 g
Connection	3x Lead wires *	
Motor	Brushless DC, auto restart, polarity protected.	
Bearing System	Dual ball bearing	
Insulation Resistance	Min. 10M at 500VDC	
Dielectric Strength	1 second at 500VAC max leakage 500 microamp	
Temperature Range	-20C ~ +75C	
Storage Temperature	-40C ~ +80C	
Life (L10)	60,000 hours (40C)	

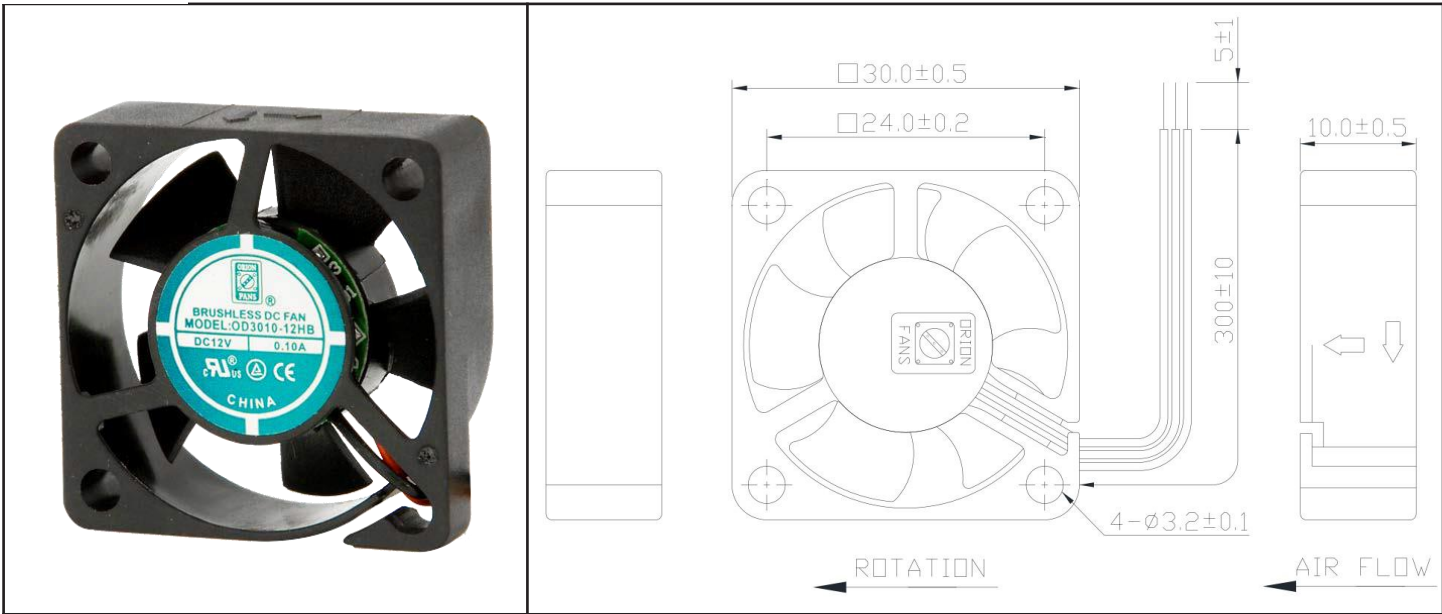


Model Number	OD3010-05MB02A
Part Number	130531231
Nominal Voltage	5 VDC
Voltage Range	4.5 ~ 5.5 VDC
Nominal Current	.08 A
Rated Power	.40 Watts
Rated Speed (RPM)	9000
Airflow (CFM)	4.0
Noise Level (dB)	30
Max. Static Pressure	.17 "H ₂ O

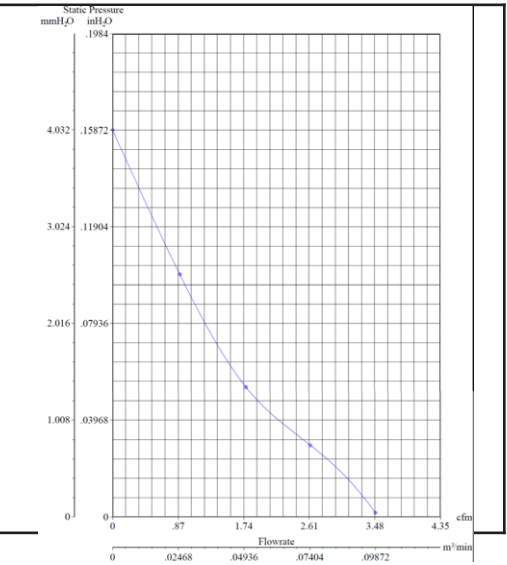
Output of locked signal
 *Output type.....Open collector type
 *Electrical design suggestion:
 (External signal function design is decided by customer)

*Transistor Q1 at "ON" position
 Collector current.....I_c=10mA Max
 Saturation Voltage.....V_{ce}=1.0V Max
 (Between Collector and Emitter at I_c=10mA)
 *Transistor Q1 at "OFF" position
 Release Voltage.....V_{ce}=5.5V Max

*Output waveform



Frame & Impeller	PBT, UL94V-0 plastic	Available Options IP55 Other speeds and voltages Tachometer
Connection	3x Lead wires *	
Motor	Brushless DC, auto restart, polarity protected.	*Connection: Wire Leads - UL1007 28AWG Red(+), Black (-) Alarm Yellow
Bearing System	Dual ball bearing	
Insulation Resistance	Min. 10M at 500VDC	Weight: 8 g
Dielectric Strength	1 second at 500VAC max leakage 500 microamp	
Temperature Range	-20C ~ +75C	
Storage Temperature	-40C ~ +80C	
Life (L10)	60,000 hours (40C)	



Model Number	OD3010-12MB02A
Part Number	130131231
Nominal Voltage	12 VDC
Voltage Range	9 ~ 13.2 VDC
Nominal Current	.09 A
Rated Power	.84 Watts
Rated Speed (RPM)	9000
Airflow (CFM)	4.0
Noise Level (dB)	27
Max. Static Pressure	.17 "H ₂ O

Output of locked signal
 *Output type.....Open collector type
 *Electrical design suggestion:
 (External signal function design is decided by customer)

*Transistor Q1 at "ON" position
 Collector current.....I_c=5mA Max
 Saturation Voltage.....V_{ce}=1.0V Max
 (Between Collector and Emitter at I_c=5mA)
 *Transistor Q1 at "OFF" position
 Release Voltage.....V_{ce}=15V Max

*Output waveform