



LUBE KITS



PUMPS



METERS



METERED NOZZLES



NOZZLES



FILTRATION

K400

FEATURES

- **READY TO USE**
- **EASY TO CALIBRATE**
- **DOUBLE TOTALIZER**
- **ELECTRONIC RESET FUNCTION**
- **HIGH ACCURACY**
- **LOW BATTERY CONSUMPTION**
- **RUBBER PROTECTION**
- **ADJUSTABLE UNIT OF MEASUREMENT**

The Piusi K400 is an electric oval gear meter suitable for monitoring the delivery of oils with a wide range of viscosity. The meter is equipped with a digital display and it is also available in pulser version.

PERFORMANCE

up to

7.8 GPM

FLOW RATE

± 0.5 %

ACCURACY

2-2000 CST

VISCOSITY

max

994 PSI

PRESSURE



K400



K400 PULSER



PACKAGING

PART #	WEIGHT		PACKAGING			
	KG	LBS	MM	INCH	PCS/PALLET	PCS/BOX
FOO484010	0.5	1.1	298X198X113	11.7X7.8X4.4	-	12
OOO44008A	0.5	1.1	300X160X110	11.8X6.3X4.3	-	8



FLUID MONITORING



HOSE REELS



AIR



ANTIFREEZE



DEF



BIODIESEL



DIESEL



FOOD



GASOLINE



GREASE



KEROSENE



OIL

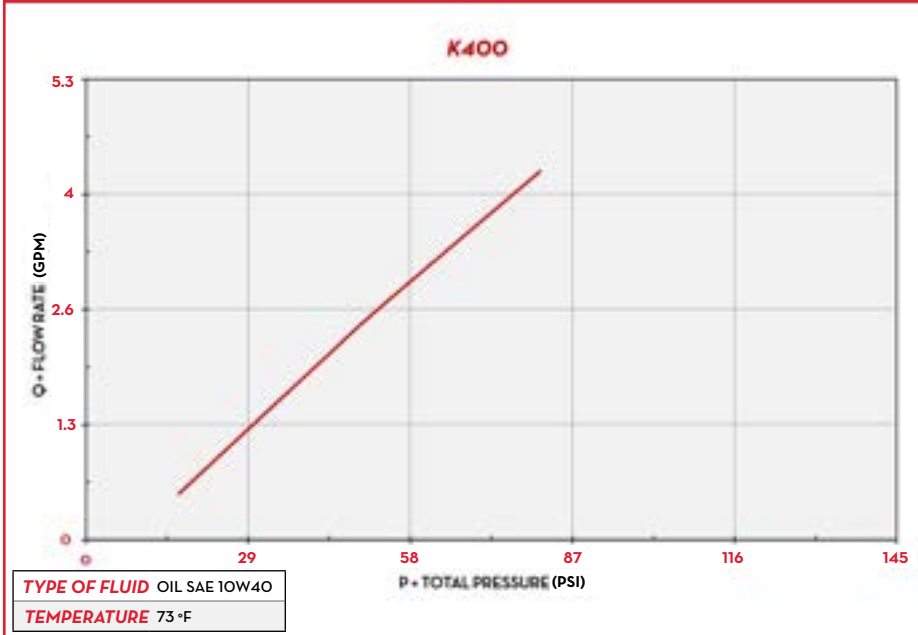


WATER



WINDSCREEN

CHARTS



IN THE BOX

- K400 METER
- INSTRUCTION MANUAL

DETAILS



RESET BUTTON



OVAL GEAR

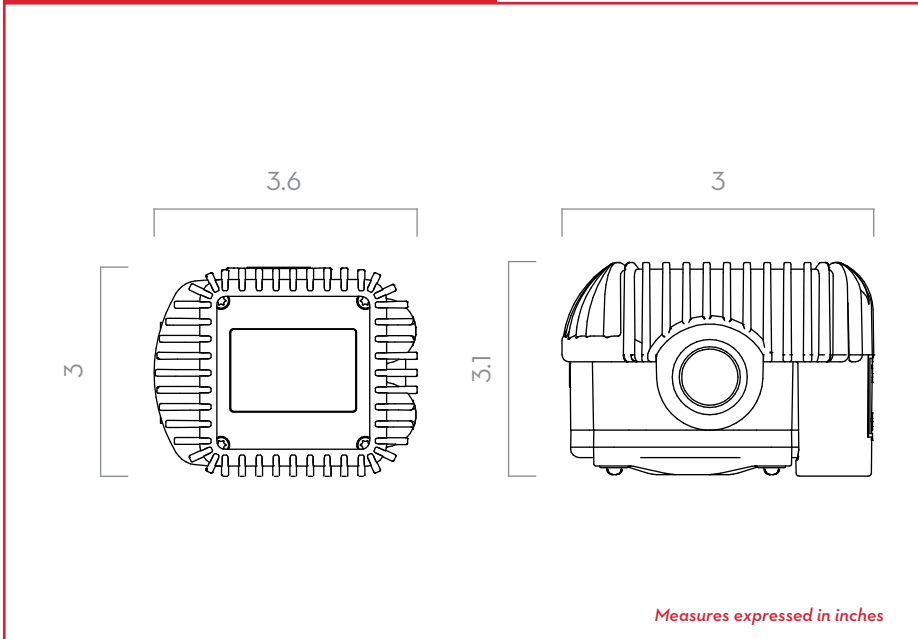


2 AAA BATTERIES INCLUDED



ALUMINUM BODY

DIMENSIONS



MATERIALS

- BODY: ALUMINUM
- GEARS: TECHNOPOLYMER

TECHNICAL DATA

PART #	DESCRIPTION	FLUIDS TYPE	FLOW RATE		WORKING PRESSURE		BATTERIES INCLUDED AAA NO.2 2 X 1.5 V	INLET	OUTLET
			L/MIN	GPM	BAR	PSI			
FOO484010	K400 OIL METER 1015PSI - Q/NPT		1-30	0.26 - 7.9	70	994	YES	1/2" NPT	1/2" NPT
OOO44008A	K400 PULSER 8000PSI 0.26-8GPM 1/2"NPT		1-30	0.26 - 7.9	70	994	NO	1/2" NPT	1/2" NPT

UPON REQUEST AVAILABLE IN BSP VERSION AND DISPLAY IN LITER

K400