

FEATURES

- Rated currents from 20A
- Designed for enhanced filtering
- Designed for enhanced filtering
- Excellent differential and common-mode attenuation

RS PRO Power Line Filters

RS Stock No.: 2378720, 2378722



RS Professionally Approved Products bring to you professional quality parts across all product categories. Our product range has been tested by engineers and provides a comparable quality to the leading brands without paying a premium price.

Product Description

- Electrical and electronic equipment
- Medical equipment
- Datacom equipment
- Office automation equipment

General Specifications

Designed 2 stage enhanced filtering to prevent the power supply may produce interference to the device Various terminal options allow you to select. There are a variety of parts and combinations to meet different customer's EMC tests Customized products according to customer's requirements

Mechanical Specifications

<i>size</i>	63X51X29mm (L X W X H)
<i>weight</i>	0.190kgs

Electrical Specifications

<i>Rated Voltage Max.</i>	250VAC,50/60Hz
<i>Operating frequency</i>	DC to 400Hz
<i>Rated currents</i>	6A@40°C
<i>Hipot Rating</i>	L-N 1450VDC, L/N-G 2000VAC/2250VDC

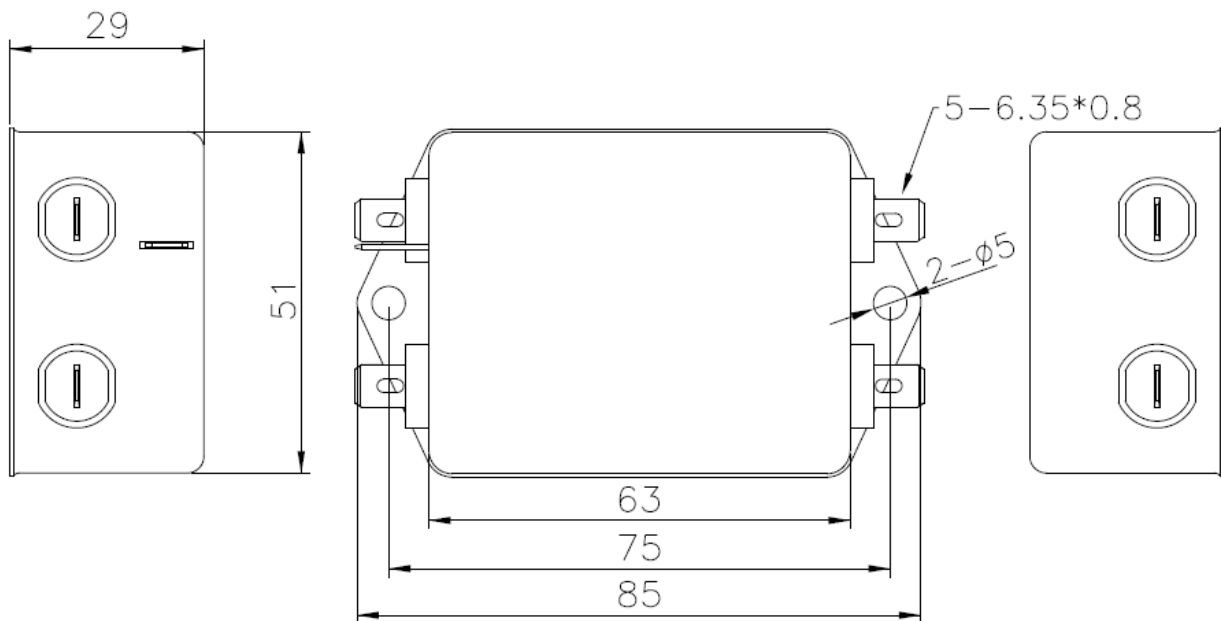
Protection Category

according to IEC 60529 IP40

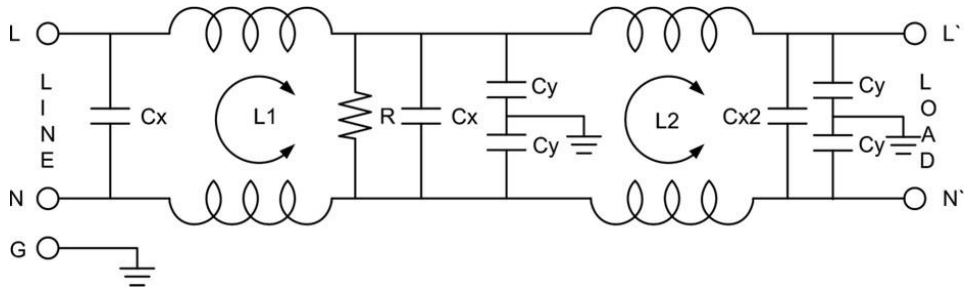
Approvals

<i>Declarations</i>	CUL;TUV;CQC;CE
<i>Standards Met</i>	UL1283, CSA C22.2 No.8; IEC/EN 60939,; CQC GB 15288/GB 15287-2008

Physical Dimensions:



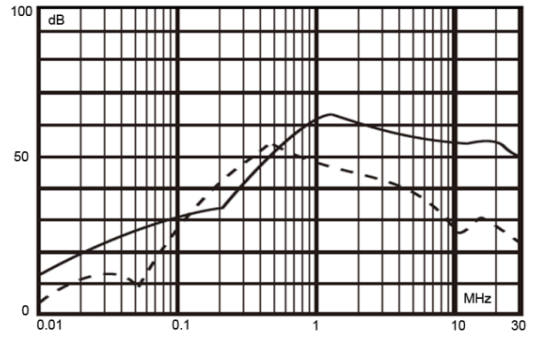
Electrical Schematic:



Insertion loss table(In 50ohm system according IEC/CISPR No.17)

———— Common mode - - - - - Differential mode

6A



packaging

