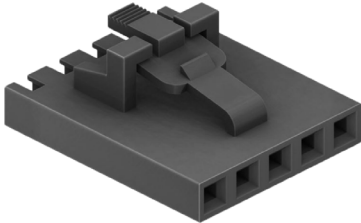


Crimp Housing and Contacts

2.54mm, Single Row, Pitch Lock

multicomp^{PRO}

RoHS
Compliant

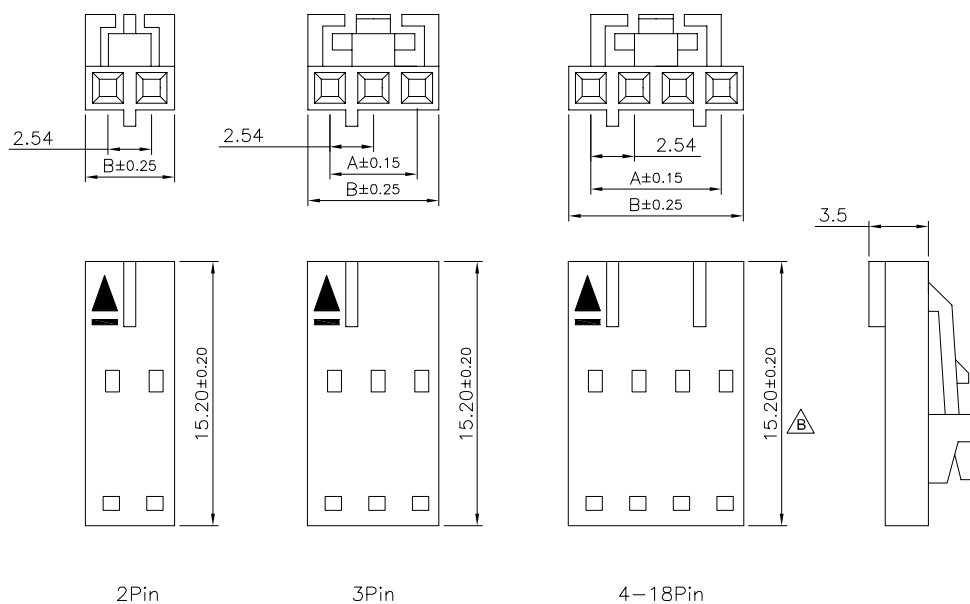


Specifications

Current Rating	: 2.5Amps
Voltage Rating	: 250V AC/DC
Dielectric Withstanding	: 800V AC/DC
Operating Temperature	: -25°C to +85°C
Contact Resistance	: 15mΩ Max.
Insulation Resistance	: 1,000MΩ Min.

Material

Insulator	: PBT (UL94V-0)
Colour	: Black

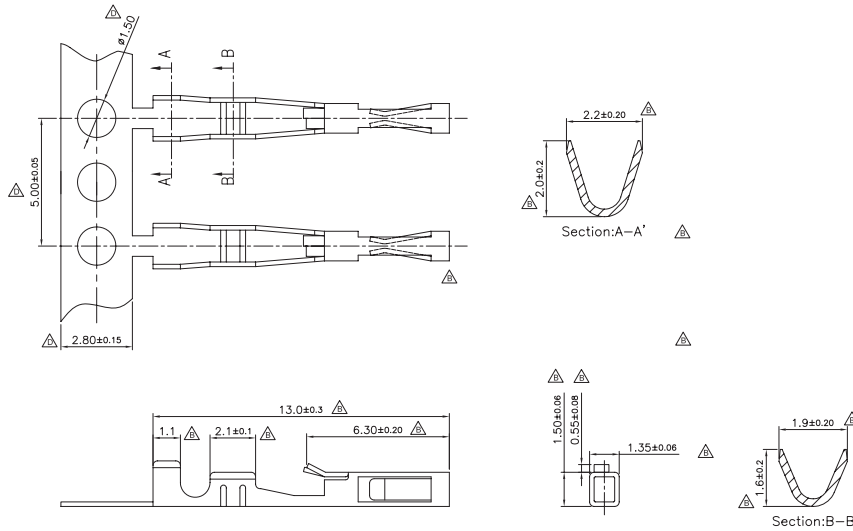


Crimp Housing and Contacts

2.54mm, Single Row, Pitch Lock

multicomp PRO

2.54mm Crimp Terminal



Material

Contact material: P-Bronze
 Thickness : 0.2mm
 Applicable Wire : #24 to #28
 Insulation O.D: 1.7mm (max)

Dimensions : Millimetres

Part Number Table

Description	Positions	A (mm)	B (mm)	Part Number
WTB Connector Housing, Receptacle, 2.54mm	2	2.54	5.35	MP009086
	3	5.08	7.89	MP009087
	4	7.62	10.43	MP009088
	5	10.16	12.97	MP009089
	6	12.7	15.51	MP009090
	7	15.24	18.05	MP009091
	8	17.78	20.59	MP009092
	9	20.32	23.13	MP009093
	10	22.86	25.67	MP009094
WTB Crimp Terminal, Tin Plated, 24 to 28 AWG	-	-	-	MP009095

Important Notice : This data sheet and its contents (the "Information") belong to the members of the AVNET group of companies (the "Group") or are licensed to it. No licence is granted for the use of it other than for information purposes in connection with the products to which it relates. No licence of any intellectual property rights is granted. The Information is subject to change without notice and replaces all data sheets previously supplied. The Information supplied is believed to be accurate but the Group assumes no responsibility for its accuracy or completeness, any error in or omission from it or for any use made of it. Users of this data sheet should check for themselves the Information and the suitability of the products for their purpose and not make any assumptions based on information included or omitted. Liability for loss or damage resulting from any reliance on the Information or use of it (including liability resulting from negligence or where the Group was aware of the possibility of such loss or damage arising) is excluded. This will not operate to limit or restrict the Group's liability for death or personal injury resulting from its negligence. Multicomp Pro is the registered trademark of Premier Farnell Limited 2019.

Newark.com/multicomp-pro
 Farnell.com/multicomp-pro
 sg.element14.com/b/multicomp-pro

multicomp PRO