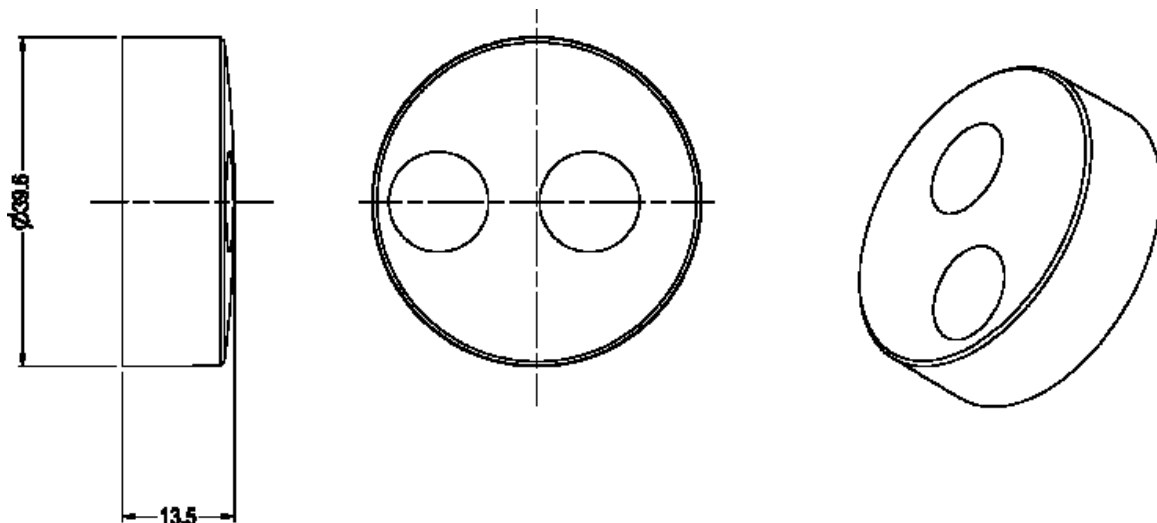


Datasheet

Encoder Knob

RS Stock number 777-7287



Description:

This is a versatile knob designed for use on encoders. It has 3 weight versions, designated light weight (L), medium weight (M) 35g and heavy weight (H) 50gm. There are push fix and screw fix versions. The top surface has dual finger locations for fast or slow spin. The 3 different weight versions give 3 kinds of inertia when spinning the encoder. The heavier weight versions give the feel of the more expensive solid metal knobs, whilst our internal construction options give possibility of various shaft fittings.



RS 7777271
Encoder knob 35gm grey 6mm splined

RS 7777303
Encoder knob 35gm grey 6.35mm screw fix

RS 7777306
Encoder knob 35gm grey 6mm screw fix



RS 7777280
Encoder knob 50gm grey 6mm splined



RS 7777296
Encoder knob grey 6mm splined



RS 7777299
Encoder knob black 6mm splined



RS 7777287
Encoder knob 35gm black 6mm splined



RS 7777283
Encoder knob 50gm black 6mm splined



RS 7777293
Encoder knob white 6mm splined