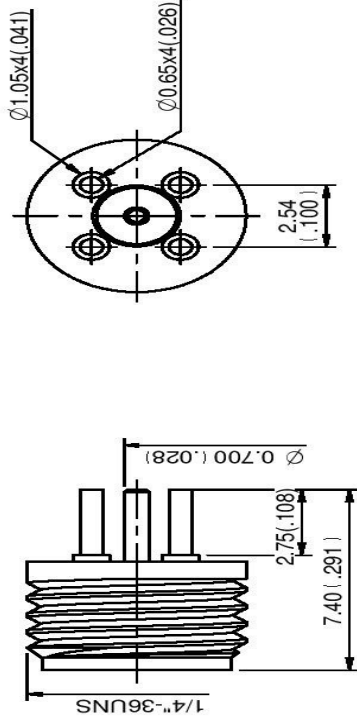
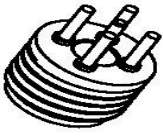


Datasheet

Stock No:1706972

RS Pro

SMP STRAIGHT PCB MOUNT LIMITED DETENT PLUG RECEPTACLE



(5) $\phi 0.8(0.031)$ MIN.
MOUNTING HOLE

APPROVED by _____ DATE: _____

1.0 ELECTRICAL

- 1.1 FREQUENCY RANGE: DC-18 GHz
- 1.2 NOMINAL IMPEDANCE: 50 OHMS
- 1.3 VOLTAGE RATING: 335 VOLTS MAX.
- 1.4 VSWR: 1.3 MAX.

2.0 MATERIALS

- 2.1 BODIES: BRASS PER JIS-C3604
- 2.2 CENTER CONTACT: BRASS PER JIS-C3604
- 2.3 INSULATION: TEFLON PER ASTM D147 AND ASTM D1710

3.0 FINISHES AND OTHERS

- 3.1 SEE BELOW TABLE FOR DETAILS.

4.0 MECHANICAL

- 4.1 INTERFACE IN ACCORDANCE WITH: MIL-STD-36A

5.0 ENVIRONMENTAL

- 5.1 OPERATING TEMPERATURE RANGE: -65°C TO +165°C

3	CENTER CONTACT	BRASS	1	GOLD 30 μ " MIN.
2	INSULATION	TEFLON	1	NONE
1	BODY	BRASS	1	GOLD 3 μ " MIN.
NO	DESCRIPTION	MATERIAL	QTY	FINISH

DESCRIPTION		SMP STRAIGHT PCB MOUNT LIMITED DETENT PLUG RECEPTACLE	
DRAWN	TOLERANCE	品名	40480108300014
Jackie	X ± 0.2	ROHS COMPLIANT	(50 Ω)
CHECK	.XX ± 0.1	UNIT	DWG.NO. 48-0031-Z
Arc	.XXX ± 0.05	單位	mm(m)
APPROVAL	.XXX ± 0.05	比例	SCALE
Jenny	ANGLE $\pm 5^\circ$	例	5:1
製圖	DATE	版次	REV.
日期	12.05.17	次	A-0