

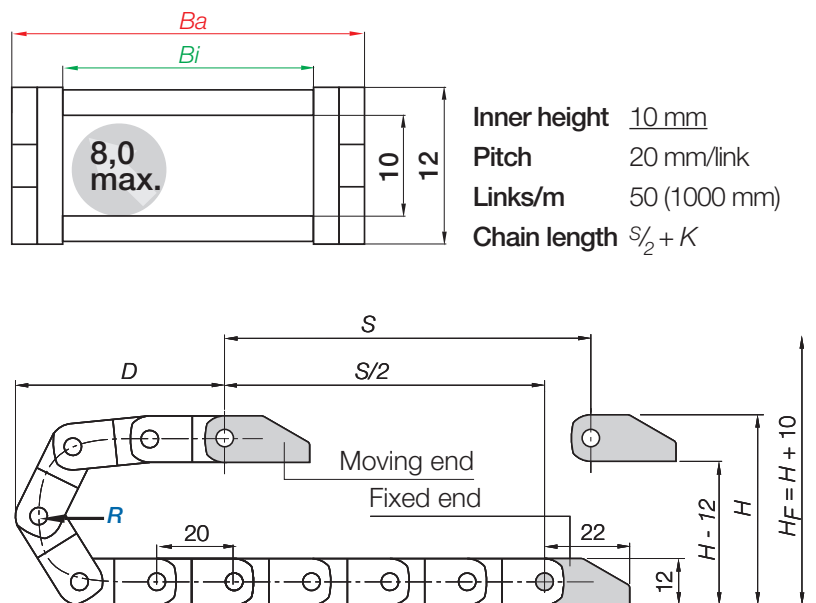
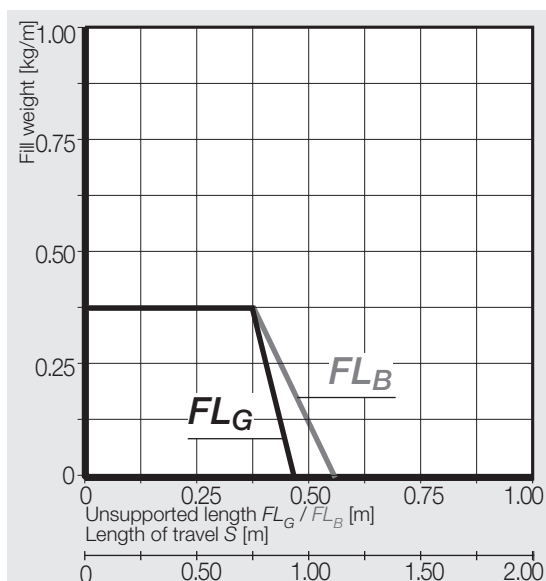


Series 05 | One-piece, non snap-open e-chain®

| e-chain® non snap-open | <i>Bi</i> [mm] | <i>Ba</i> [mm] | <i>R</i> Bending radii [mm] | Weight [kg/m] |
|---------------------------|-------------------|-------------------|--------------------------------|------------------|
| 05. 06 .R.0 | 6 | 10 | 018 028 038 | ≈ 0,06 |
| 05. 10 .R.0 | 10 | 14 | 018 028 038 | ≈ 0,07 |
| 05. 16 .R.0 | 16 | 20 | 018 028 038 | ≈ 0,07 |
| 05. 20 .R.0 | 20 | 24 | 018 028 038 | ≈ 0,08 |
| 05. 30 .R.0 | 30 | 34 | 018 028 038 | ≈ 0,09 |
| 05. 64 .R.0 | 64 | 68 | 018 028 038 | ≈ 0,19 |

Supplement Part No. with required radius (*R*). Example: 05.10.028.0

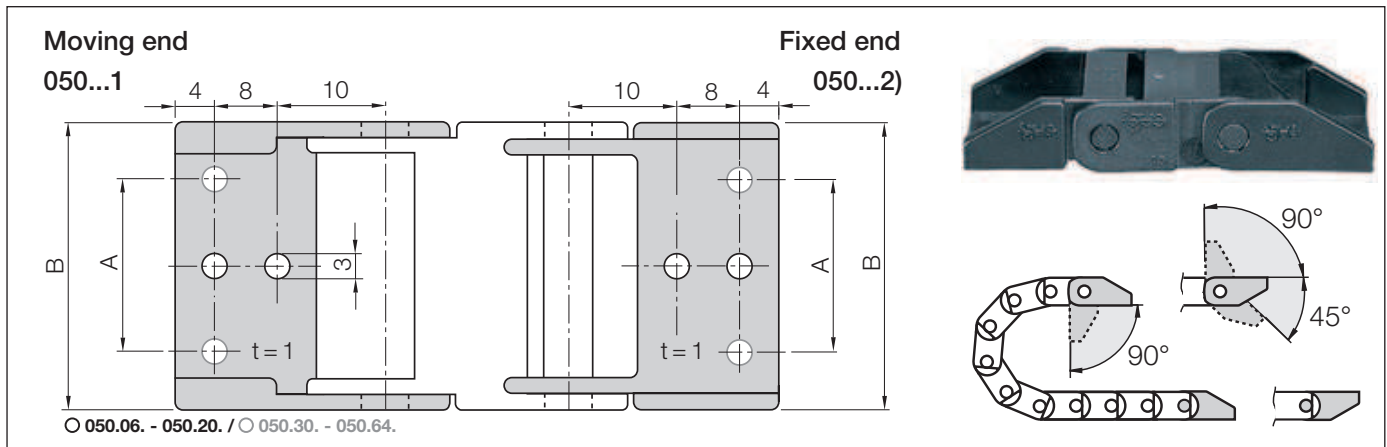
Dimensions



| <i>R</i> | 018 | 028 | 038 |
|----------|-----|-----|-----|
| <i>H</i> | 48 | 68 | 88 |
| <i>D</i> | 54 | 64 | 74 |
| <i>K</i> | 100 | 130 | 160 |

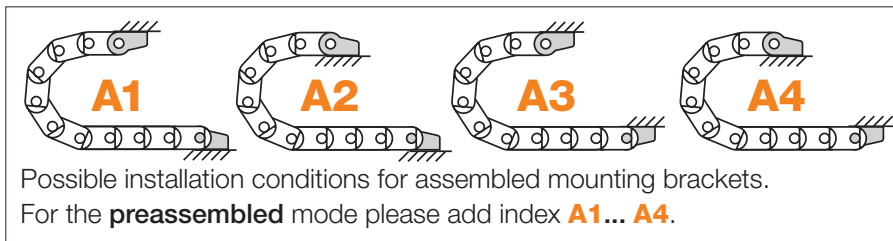
The required clearance height: $H_F = H + 10$ mm (with 0,2 kg/m fill weight)

Mounting brackets, polymer one-piece | one side pivoting



| Width Index | Standard | Part No. full set | Dim. A [mm] | Dim. B [mm] | Number of teeth |
|-------------|----------|-------------------|-------------|-------------|-----------------|
| .06. | ▶ | 050.06.12 | – | 10,7 | – |
| .10. | ▶ | 050.10.12 | – | 14,7 | – |
| .16. | ▶ | 050.16.12 | – | 20,7 | – |
| .20. | ▶ | 050.20.12 | – | 24,7 | – |
| .30. | ▶ | 050.30.12 | 22 | 34,7 | – |
| .64. | ▶ | 050.64.12 | 56 | 68,7 | – |

○ Drilling pattern for width index: 050.06 - 050.20. center bores only / ○ 050.30 - 050.64. outer bores only (see figure above)



Part No. structure

050.10. 12 **A1**

