

Panel Meters

Moving Iron

multicomp PRO

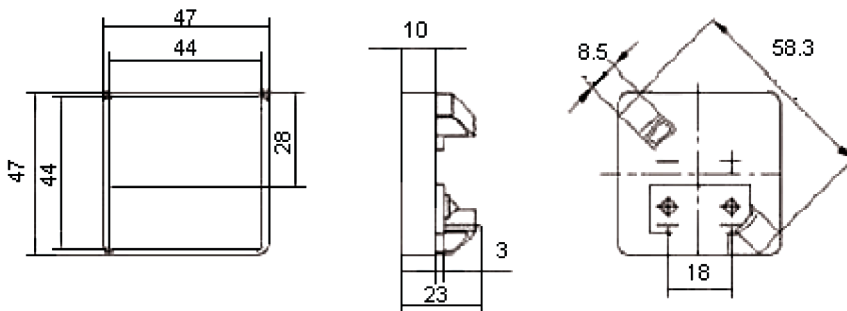
**RoHS
Compliant**

Ammeter Specification



Movement	: Moving magnet type.
Measuring Range	: 70°.
Pointer	: 0.93m/m.
Pointer Colour	: Red.
Pointer Position	: Left hand zero.
Current Sensitivity	: DC (Full scale) ±5%.
Friction Tolerance	: ±0.93m/m.
Balance	: Within the pointer width 0.93m/m vertically and horizontally.
Over Current	: Within 5 items of rate current.
Operating Temperature	: Between -20°C and +70°C.
Zero Position Difference	: Within width of pointer.
Fixing	: Snap in.
Terminations	: Length 8mm; Diameter 1.7mm. 6.3mm spades suitable for push-on connectors.

Diagram



Part Number Table

Description	Part Number
Analogue Panel Meter, Moving Magnet Type, Left Zero Hand, DC Current, 0A to 10A	SD506/0-10A

Important Notice : This data sheet and its contents (the "Information") belong to the members of the AVNET group of companies (the "Group") or are licensed to it. No licence is granted for the use of it other than for information purposes in connection with the products to which it relates. No licence of any intellectual property rights is granted. The Information is subject to change without notice and replaces all data sheets previously supplied. The Information supplied is believed to be accurate but the Group assumes no responsibility for its accuracy or completeness, any error in or omission from it or for any use made of it. Users of this data sheet should check for themselves the Information and the suitability of the products for their purpose and not make any assumptions based on information included or omitted. Liability for loss or damage resulting from any reliance on the Information or use of it (including liability resulting from negligence or where the Group was aware of the possibility of such loss or damage arising) is excluded. This will not operate to limit or restrict the Group's liability for death or personal injury resulting from its negligence. Multicomp Pro is the registered trademark of Premier Farnell Limited 2019.

Newark.com/multicomp-pro
Farnell.com/multicomp-pro
sg.element14.com/b/multicomp-pro

multicomp PRO

