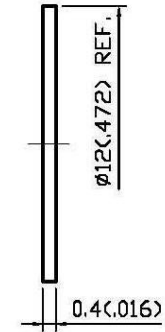
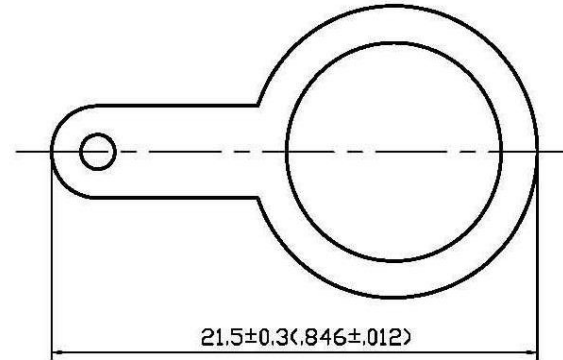
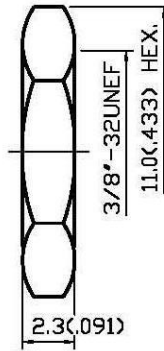
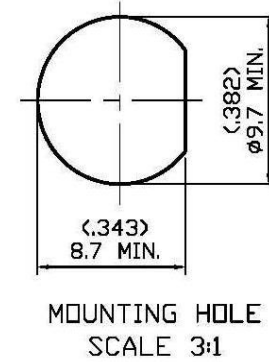
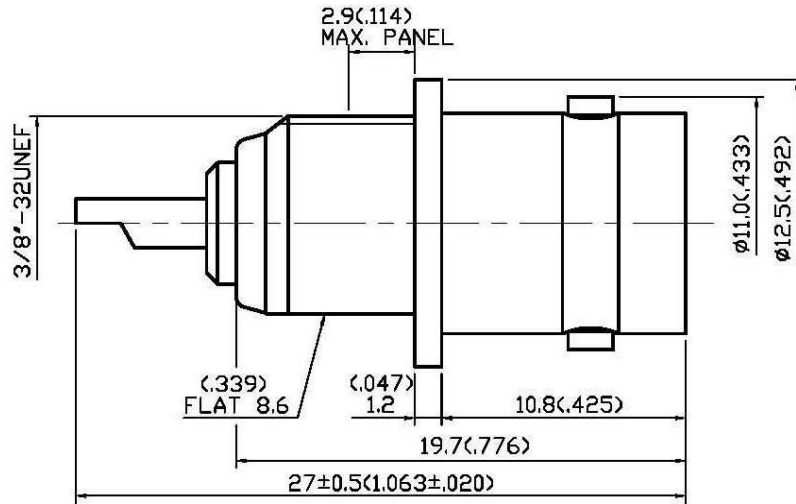


NO	DESCRIPTION	DATE
△	ADD VSWR	01.21.14'



**1.0 ELECTRICAL**

- 1.1 FREQUENCY RANGE: DC-4 GHz
- 1.2 NOMINAL IMPEDANCE: 50 OHMS
- 1.3 VOLTAGE RATING: 500 VOLTS MAX.
- 1.4 VSWR: 1.35 MAX. @3 GHz △

**2.0 MATERIALS**

- 2.1 BODIES: BRASS PER JIS-C3604
- 2.2 CENTER CONTACT: BRASS PER JIS-C3604
- 2.3 INSULATION: TEFLON PER ASTM D1457 AND ASTM D1710

**3.0 FINISHES AND OTHERS**

3.1 SEE BELOW TABLE FOR DETAILS.

**4.0 ENVIRONMENTAL**

4.1 OPERATING TEMPERATURE RANGE: -65° C TO +165° C

NO	DESCRIPTION	MATERIAL	Q'TY	FINISH
7	INSULATION	TEFLON	1	NONE
6	BODY	BRASS	1	NICKEL 100 $\mu$ " MIN.
5	CENTER CONTACT	BRASS	1	GOLD
4	INSULATION	TEFLON	1	NONE
3	WASHER	BRASS	1	NICKEL
2	NUT	BRASS	1	NICKEL
1	WASHER	BRASS	1	NICKEL

APPROVED

by \_\_\_\_\_ DATE: \_\_\_\_\_



DESCRIPTION		BNC STRAIGHT BULKHEAD JACK RECEPTACLE	
製圖	DRAWN Yoko	TOLERANCE .X ±0.2	品名 13-25 T.G.N
檢圖	CHECK Arc	.XX ±0.1	UNIT mm(in)
認定	APPROVAL Angela	.XXX ±0.05	SCALE 4:1
DATE	12.02.92'	DATE	12.02.92'
REV.	B-1	DATE	12.02.92'
DWG.NO.		13-0180	