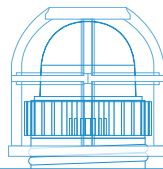


LED PENDANT LIGHT



EG SERIES



Application

Engine rooms, Low visibility areas, Decks, Warehouses, Yards

Material

Marine grade aluminium alloy with powder coating, comes with polycarbonate diffuser and guard

Options

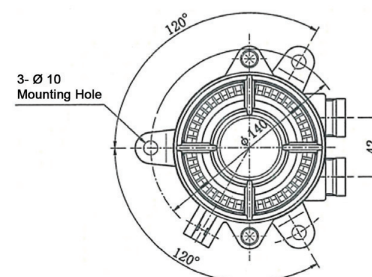
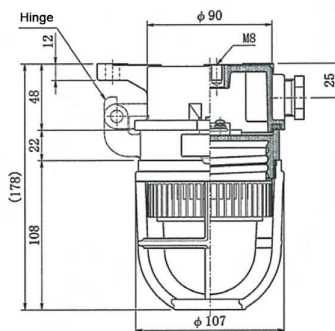
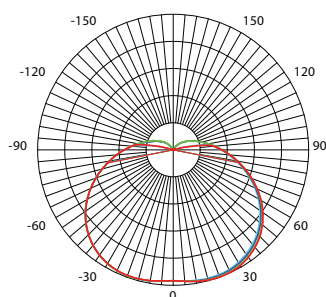
Polycarbonate clear
Polycarbonate red

Weight

1.0Kg

Key Features

- Complete solution with heat sink, driver and polycarbonate diffuser
- Vibration-resistant
- Alternative to 100W incandescent bulb
- Energy savings of up to 90% compared to 100W incandescent bulb
- Long service life of 50,000 hours L70 @ 45°C
- Safety, EMC and IEC compliance



TECHNICAL SPECIFICATIONS



Ideal Replacement:

Type	Main Voltage	Power	CCT	Beam Angle	Ambient Temp	System Lumen
EG-LMA01050	100V ~ 240V AC/DC	11W	5,000K	160°	-30 ~ 45°C	950lm
EG-LMD01050	24V DC	10W	5,000K	160°	-30 ~ 45°C	950lm

Also available in other CCT.

