

## Datasheet

### SPDT Slide Switch

RS Stock number 734-7340



#### SPECIFICATIONS

**CONTACT RESISTANCE:** 50m $\Omega$  max. initial .

**MECHANICAL LIFE :** 20,000 make-and-break cycles.

**INSULATION RESISTANCE:** 1,000M $\Omega$  min.

**DIELECTRIC STRENGTH:** 1,000 V RMS@sea level.

**OPERATING TEMPERATURE:** -40°C to 80°C.

**BREAKING CAPACITY :** Silver : 1A 250VAC ; Gold 100mA 30VDC ;  
With Resistive Load.

**MINIMUM LOAD :** Silver : 100mA 10VDC ; Gold : 10mA 50mV.

#### MATERIALS

**CASE** - PBT , white.

**ACTUATOR** - PBT,black .

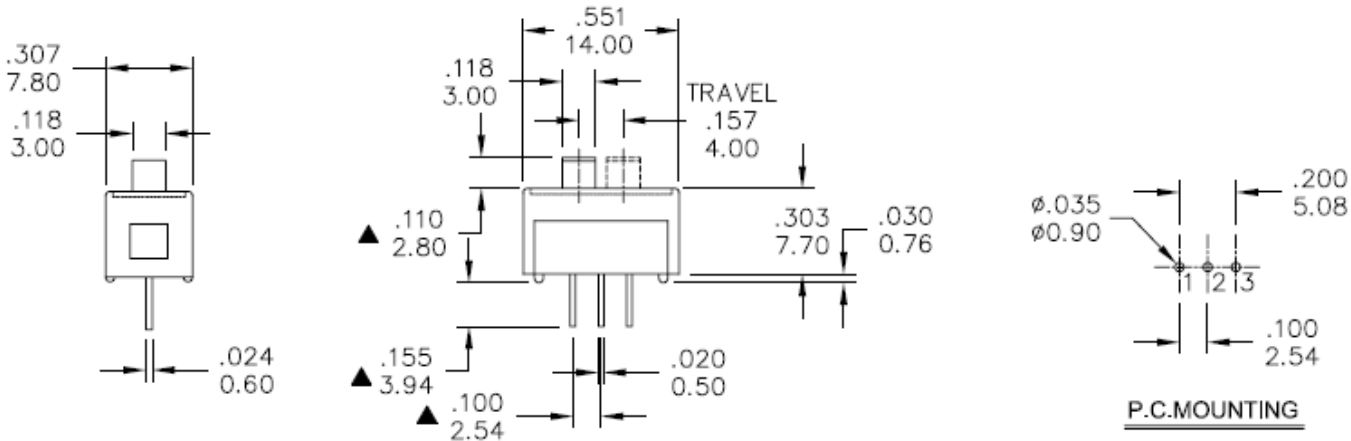
**HOUSING** - POM,black .


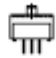
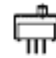
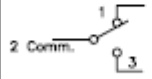
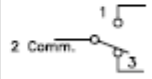
**CONTACT** - Silver or Gold plated copper alloy .

**TERMINALS** - Silver or Gold plated copper alloy .

RoHS - 2002/95/EC

Dimensions – inch  
mm



Model No.	POS.1	POS.2	POS.3
			
6MS1	ON	NONE	ON
Term. Comm.	2-1	N/A	2-3
SCHEMATIC			

SWITCH FUNCTION