



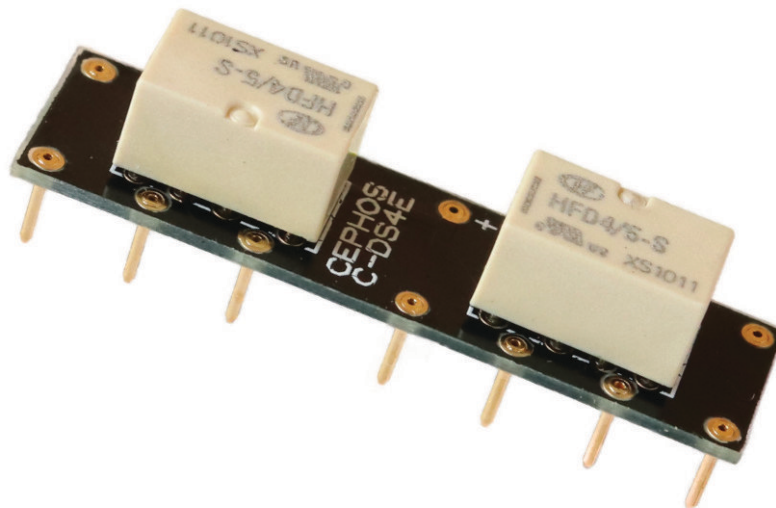
Every part matters

EN

# RS Pro 4PDT 5V Polarised PCB Mount Relay

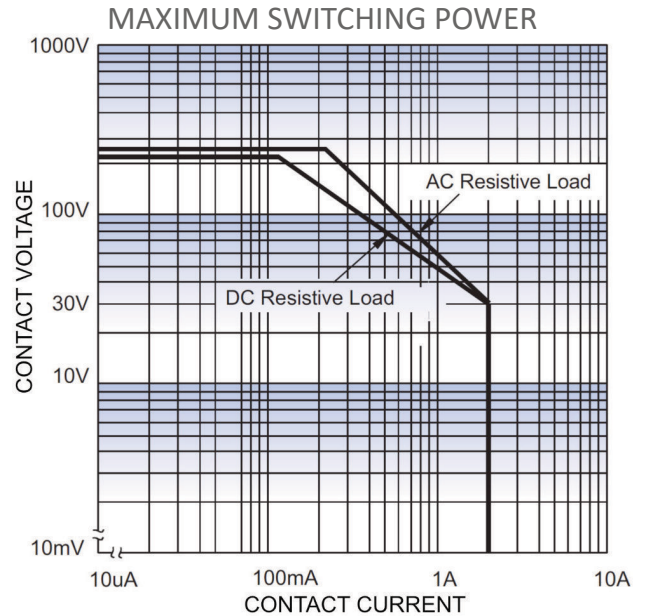
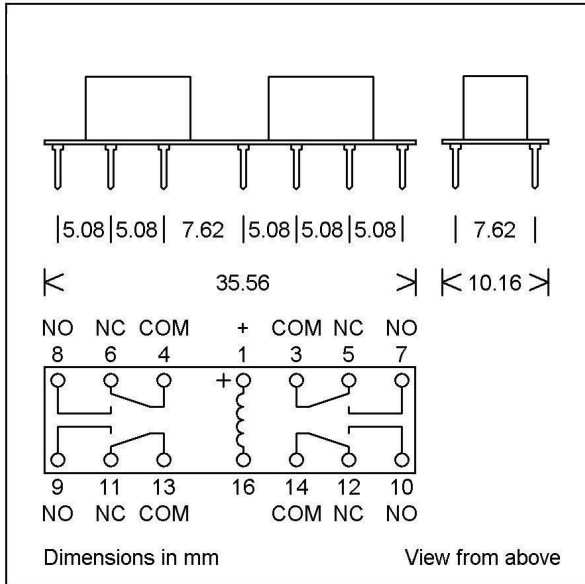
Stock Number: 193-5859

---



The RS Pro 4PDT 5V polarised PCB mount relay is a drop in alternative solution to the obsolete Panasonic DS4E, Omron G6A-434P, Fujitsu RA4 and IMO EN4-CW relays.





Contact Data	
Contact arrangement	4 pole C/O
Contact resistance	100mΩ max at 10mA / 30mVdc
Contact material	AgNi + Au plated
Contact rating (Res. Load)	1A 30Vdc 0.5A 125Vac
Max. switching current	2A
Max. Switching voltage	250Vac / 220Vdc
Max. Switching power	62.5VA / 60W
Min. Applicable load	10mV 10μA
Mechanical endurance	1 x 10 <sup>8</sup> ops
Electrical endurance	1 x 10 <sup>5</sup> ops (AgNi + Au plated, 0.5A 125Vac, resistive load, at 40°C, 1s on 9s off)

Characteristics	
Operate time	3ms max.
Release time	3ms max.
Ambient temperature	-40°C to 85°C
Humidity	5% to 85% RH
Unit weight	2.54g

Coil Data (5V)	
Pick-up voltage Vdc max.	3.75V
Drop-out voltage Vdc min.	0.5V
Coil resistance Ω	89Ω
Nominal power mW	280mW
Max voltage Vdc	7.5V