

## Hydraulic SAE Split Flanges

### Specifications:

SAE-J518/ISO 6162, Hydraulic flanged tube, pipe and hose connections, four-bolt split flange type

### Material Specifications:

ST52.3  
SS316

### Size Range:

Code 61 (Series 3000): 3/8"NB – 5"NB  
Code 62 (Series 6000): 3/8"NB – 3"NB

### Working Pressure:

Code 61 (Series 3000): 34 – 345 Bar  
Code 62 (Series 6000): 200 – 414 Bar

### Temperature:

Carbon steel: -40°C - +120°C  
Stainless steel: -60°C - +50°C

Working pressure for material stainless steel shall be reduced if exceed certain temperature:

40% above +50°C to < +100°C  
11% above +100°C to < +200°C  
20% above +200°C to < +250°C

### Orings:

NBR (Standard), Viton (Optional)

### Flange Screws:

Metric screws according to DIN 912-8.8 (Standard)  
Metric screws according to DIN 912-10.9 (Optional)

### SAE Flange Recommended Torque Values

#### Code 61 (Series 3000)

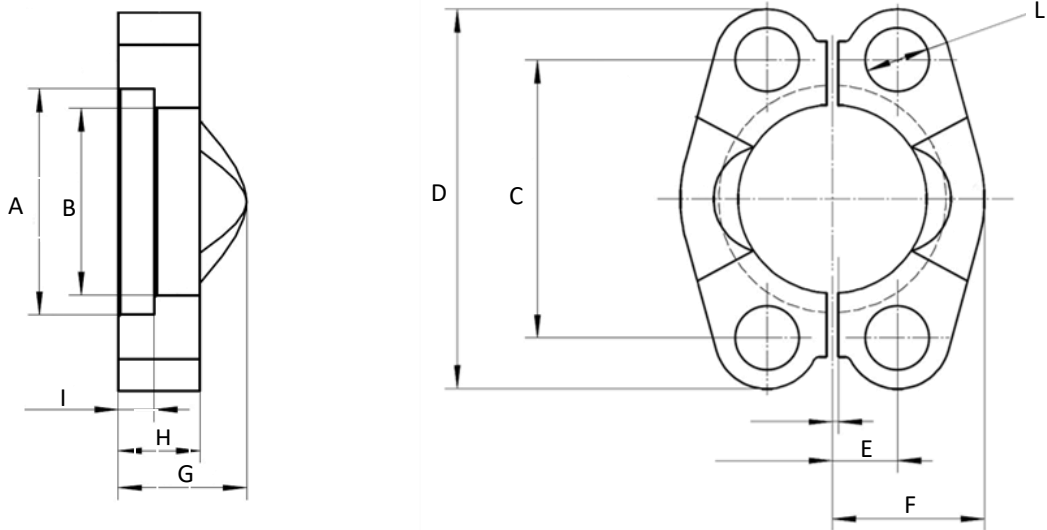
| Flange Size | Recommended Torque Range N/m |
|-------------|------------------------------|
| 1/2"        | 32                           |
| 3/4"        | 70                           |
| 1"          | 70                           |
| 1 1/4"      | 70                           |
| 1 1/2"      | 130                          |
| 2"          | 130                          |
| 2 1/2"      | 130                          |
| 3"          | 295                          |
| 3 1/2"      | 295                          |
| 4"          | 295                          |
| 5"          | 295                          |

#### Code 62 (Series 6000)

| Flange Size | Recommended Torque Range N/m (+10% -0) |
|-------------|--|
| 1/2"        | 32                                     |
| 3/4"        | 70                                     |
| 1"          | 130                                    |
| 1 1/4"      | 130                                    |
| 1 1/2"      | 295                                    |
| 2"          | 550                                    |
| 2 1/2"      | 550                                    |
| 3"          | 650                                    |



## CUT SPLIT FLANGES



### Series 3000

| WP (Bar) | Size   | Type   | Dimensions |        |        |     |       |      |    |    |       |            |
|----------|--------|--------|------------|--------|--------|-----|-------|------|----|----|-------|------------|
|          |        |        | A          | B      | C      | D   | E     | F    | G  | H  | I     | Screws / L |
| 345      | 1/2"   | AFS301 | 30.96      | 24.26  | 38.10  | 54  | 8.74  | 22.8 | 19 | 13 | 6.22  | M8 x 30    |
| 345      | 3/4"   | AFS302 | 38.89      | 32.13  | 47.63  | 65  | 11.13 | 25.9 | 22 | 14 | 6.22  | M10 x 35   |
| 345      | 1"     | AFS303 | 45.24      | 38.48  | 52.37  | 70  | 13.08 | 29.2 | 24 | 16 | 7.49  | M10 x 35   |
| 276      | 1 1/4" | AFS304 | 51.59      | 43.69  | 58.72  | 79  | 15.09 | 36.3 | 22 | 14 | 7.49  | M10 x 35   |
| 207      | 1 1/2" | AFS305 | 61.09      | 50.80  | 69.85  | 94  | 17.86 | 41.1 | 25 | 16 | 7.49  | M12 x 35   |
| 207      | 2"     | AFS306 | 72.24      | 62.74  | 77.77  | 102 | 21.44 | 48.2 | 26 | 16 | 9.02  | M12 x 35   |
| 172      | 2 1/2" | AFS307 | 84.94      | 74.93  | 88.90  | 114 | 25.40 | 54.1 | 38 | 19 | 9.02  | M12 x 40   |
| 138      | 3"     | AFS308 | 102.39     | 90.93  | 106.38 | 135 | 30.96 | 65.3 | 41 | 22 | 9.02  | M16 x 50   |
| 34       | 3 1/2" | AFS309 | 115.10     | 102.36 | 120.65 | 152 | 34.92 | 69.5 | 28 | 22 | 10.72 | M16 x 50   |
| 34       | 4"     | AFS310 | 127.79     | 115.06 | 130.18 | 162 | 38.88 | 76.0 | 35 | 25 | 10.72 | M16 x 50   |
| 34       | 5"     | AFS311 | 153.19     | 140.46 | 152.40 | 184 | 46.04 | 90.0 | 41 | 28 | 10.72 | M16 x 50   |

### Series 6000

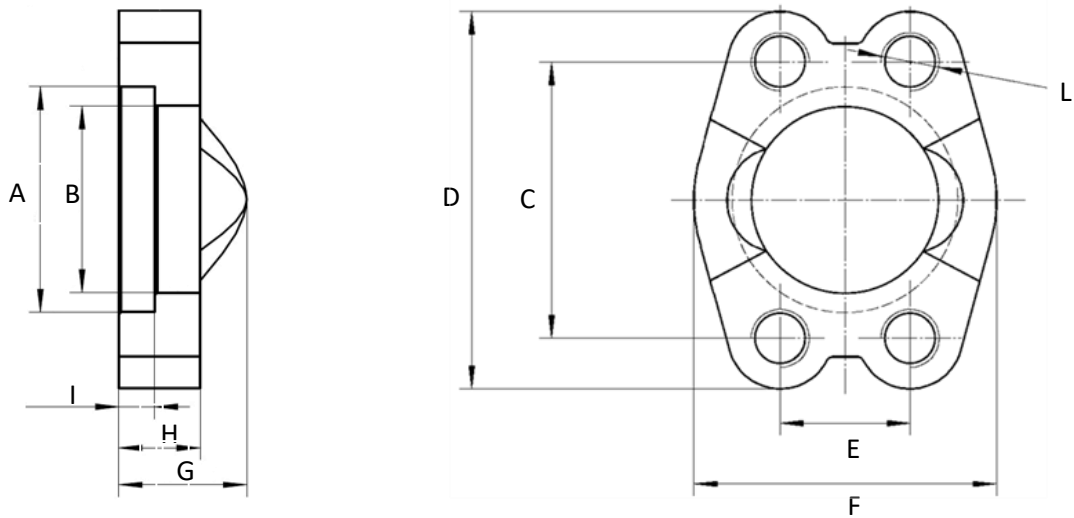
| WP (Bar) | Size   | Type   | Dimensions |       |       |     |       |      |    |    |       |            |
|----------|--------|--------|------------|-------|-------|-----|-------|------|----|----|-------|------------|
|          |        |        | A          | B     | C     | D   | E     | F    | G  | H  | I     | Screws / L |
| 414      | 1/2"   | AFS601 | 32.54      | 24.64 | 40.49 | 56  | 9.12  | 23.6 | 22 | 16 | 7.24  | M8 x 30    |
| 414      | 3/4"   | AFS602 | 42.06      | 32.51 | 50.80 | 71  | 11.91 | 30.0 | 28 | 19 | 8.26  | M10 x 35   |
| 414      | 1"     | AFS603 | 48.41      | 38.86 | 57.15 | 81  | 13.89 | 34.8 | 33 | 24 | 9.02  | M12 x 45   |
| 414      | 1 1/4" | AFS604 | 54.76      | 44.45 | 66.68 | 95  | 15.88 | 38.6 | 38 | 27 | 9.78  | M14 x 45   |
| 414      | 1 1/2" | AFS605 | 64.29      | 51.56 | 79.38 | 113 | 18.26 | 47.5 | 43 | 30 | 12.07 | M16 x 50   |
| 414      | 2"     | AFS606 | 80.16      | 67.56 | 96.82 | 133 | 22.23 | 56.9 | 52 | 37 | 12.07 | M20 x 70   |

#### Designation for Order:

Cut Split Flanges

|        |        |
|--------|--------|
| ST52.3 | AFS... |
| SS316  | AFX... |

## UNCUT SPLIT FLANGES



### Series 3000

| WP (Bar) | Size   | Type    | Dimensions |        |        |     |       |       |    |    |       |            |
|----------|--------|---------|------------|--------|--------|-----|-------|-------|----|----|-------|------------|
|          |        |         | A          | B      | C      | D   | E     | F     | G  | H  | I     | Screws / L |
| 345      | 1/2"   | AFSI301 | 30.96      | 24.26  | 38.10  | 54  | 17.48 | 45.6  | 19 | 13 | 6.22  | M8 x 30    |
| 345      | 3/4"   | AFSI302 | 38.89      | 32.13  | 47.63  | 65  | 22.23 | 51.8  | 22 | 14 | 6.22  | M10 x 35   |
| 345      | 1"     | AFSI303 | 45.24      | 38.48  | 52.37  | 70  | 26.19 | 58.4  | 24 | 16 | 7.49  | M10 x 35   |
| 276      | 1 1/4" | AFSI304 | 51.59      | 43.69  | 58.72  | 79  | 30.18 | 72.6  | 22 | 14 | 7.49  | M10 x 35   |
| 207      | 1 1/2" | AFSI305 | 61.09      | 50.80  | 69.85  | 94  | 35.71 | 82.2  | 25 | 16 | 7.49  | M12 x 35   |
| 207      | 2"     | AFSI306 | 72.24      | 62.74  | 77.77  | 102 | 42.88 | 96.4  | 26 | 16 | 9.02  | M12 x 35   |
| 172      | 2 1/2" | AFSI307 | 84.94      | 74.93  | 88.90  | 114 | 50.80 | 108.2 | 38 | 19 | 9.02  | M12 x 40   |
| 138      | 3"     | AFSI308 | 102.39     | 90.93  | 106.38 | 135 | 61.93 | 130.6 | 41 | 22 | 9.02  | M16 x 50   |
| 34       | 3 1/2" | AFSI309 | 115.10     | 102.36 | 120.65 | 152 | 69.85 | 139.0 | 28 | 22 | 10.72 | M16 x 50   |
| 34       | 4"     | AFSI310 | 127.79     | 115.06 | 130.18 | 162 | 77.77 | 152.0 | 35 | 25 | 10.72 | M16 x 50   |
| 34       | 5"     | AFSI311 | 153.19     | 140.46 | 152.40 | 184 | 92.08 | 180.0 | 41 | 28 | 10.72 | M16 x 50   |

### Series 6000

| WP (Bar) | Size   | Type    | Dimensions |       |       |     |       |       |    |    |       |            |
|----------|--------|---------|------------|-------|-------|-----|-------|-------|----|----|-------|------------|
|          |        |         | A          | B     | C     | D   | E     | F     | G  | H  | I     | Screws / L |
| 414      | 1/2"   | AFSI601 | 32.54      | 24.64 | 40.49 | 56  | 18.24 | 47.2  | 22 | 16 | 7.24  | M8 x 30    |
| 414      | 3/4"   | AFSI602 | 42.06      | 32.51 | 50.80 | 71  | 23.80 | 60.0  | 28 | 19 | 8.26  | M10 x 35   |
| 414      | 1"     | AFSI603 | 48.41      | 38.86 | 57.15 | 81  | 27.76 | 69.6  | 33 | 24 | 9.02  | M12 x 45   |
| 414      | 1 1/4" | AFSI604 | 54.76      | 44.45 | 66.68 | 95  | 31.75 | 77.2  | 38 | 27 | 9.78  | M14 x 45   |
| 414      | 1 1/2" | AFSI605 | 64.29      | 51.56 | 79.38 | 113 | 36.50 | 95.0  | 43 | 30 | 12.07 | M16 x 50   |
| 414      | 2"     | AFSI606 | 80.16      | 67.56 | 96.82 | 133 | 44.45 | 113.8 | 52 | 37 | 12.07 | M20 x 70   |

#### Designation for Order:

Uncut Split Flanges  
(Without bolt thread)

|        |         |
|--------|---------|
| ST52.3 | AFSI... |
| SS316  | AFXI... |

Uncut Split Flanges  
(With bolt thread)

|        |         |
|--------|---------|
| ST52.3 | GFSI... |
| SS316  | GFXI... |