

## FEATURES

- Full port 1/4" to 3" (DN8 to DN80)
- Investment casting
- Blow-out proof stem
- Locking device
- ISO 5211 Mounting pad

## RS PRO Stainless Steel High Pressure Ball Valve 3/4 in BSPP 2 Way

RS Stock No.: 764-4269



RS Professionally Approved Products bring to you professional quality parts across all product categories. Our product range has been tested by engineers and provides a comparable quality to the leading brands without paying a premium price.

## Product Description

RS PRO range of manual ball valves designed for industrial applications. Manual ball valves are used to operate shut off valves which control water flow and pressure.

RS Stainless Steel Screwed End Ball Valves for the control of flow. Available in a variety of sizes:

- 764-4256 - 1/4 inch Ball Valve BSPP F-F
- 764-4250 - 1/2 inch Ball Valve BSPP F-F
- 764-4269 - 3/4 inch Ball Valve BSPP F-F
- 764-4262 - 1 inch Ball Valve BSPP F-F
- 746-4266 - 1-1/4 inch Ball Valve BSPP F-F
- 764-4275 - 1-1/2 inch Ball Valve BSPP F-F
- 764-4278 - 2 inch ball Valve BSPP F-F

## General Specifications

<b>Threaded Connection</b>	3/4in BSPP
<b>Attachment Type</b>	Threaded
<b>Body Material</b>	ASTM A351-CF8M
<b>Thread Size</b>	3/4in
<b>Safe For Use With</b>	Gas, Oil, Water
<b>Ball Material</b>	ASTM A351-CF8M
<b>Handle Material</b>	Stainless steel
<b>Type</b>	2 Way
<b>Application</b>	Heating systems; Water treatment; Liquid flow control

## Mechanical Specifications

<b>Connection Size</b>	19.6mm
<b>Torque</b>	7.5Nm
<b>Weight</b>	0.5kg

## Operation Environment Specifications

<b>Working Temperature</b>	-20°C to 200°C
<b>Maximum Working Pressure</b>	1000 psi

## Approvals

Compliance/Certifications

ISO-5211





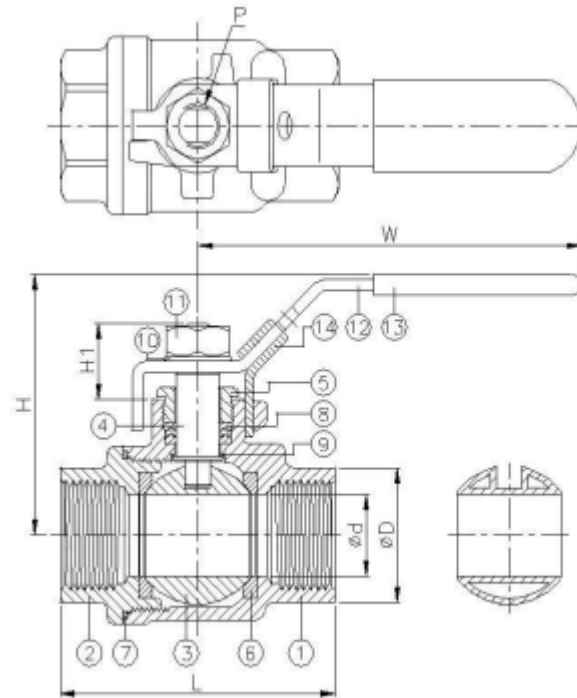


Figure 1

ITEM	PARTS	MATERIAL
1	BODY	ASTM A351-CF8M
2	CAP	ASTM A351-CF8M
3	SOLID BALL	ASTM A351-CF8M
	HOLLOW BALL	ASTM A240-316
4	STEM	ASTM A276-316
5	GLAND	AISI 304
6	SEAT	RTFE
7	SEAL	PTFE
8	PACKING	PTFE
9	THRUST WASHER	PTFE
10	SPRING WASHER	AISI 304
11	NUT	AISI 304
12	HANDLE	STAINLESS STEEL
13	HANDLE SLEEVE	PVC
14	LOCKING DEVICE	STAINLESS STEEL

DN	d	D	L	H	H1	W	P	Torque (N-M)	Weight (kg)
20	20	32	65.6	63.5	22.5	125	7/16" – 20 UNF	7.5	0.5