

Features

- Opto Isolation
4000VAC
- Zero Volt Switching
Random Switching
(see table)
- TTL/CMOS
Compatible (Sink
mode)
- Integrated Snubber
- LED Status Indication
- Reverse Voltage
Protection for DC/AC
Types
- Output: NO/NC
Configuration
- Terminals are
polarised to prevent
reverse connection
- Built in Safety Cover
to Meet IP 20
Protection

RS PRO Panel Mount Single Phase Solid-State Relays Triac Output

RS Stock No.: See table below



RS Professionally Approved Products bring to you professional quality parts across all product categories. Our product range has been tested by engineers and provides a comparable quality to the leading brands without paying a premium price.

Product Description

The panel mount relays are widely used in industrial switching applications such as control of heaters, motors, solenoid, lighting, and microcontroller-based systems. SSR switching is preferred due to high reliability and long life and in electrically harsh environment.

Ratings are offered starting from 10 Amps to 40 Amps for 240- and 440-volts applications.

General Specifications

Mounting	Panel Mount
Dimensions, mm	47.75mm x 46.6mm x 36.5mm
Weight	See table on page 4

Electrical Specifications

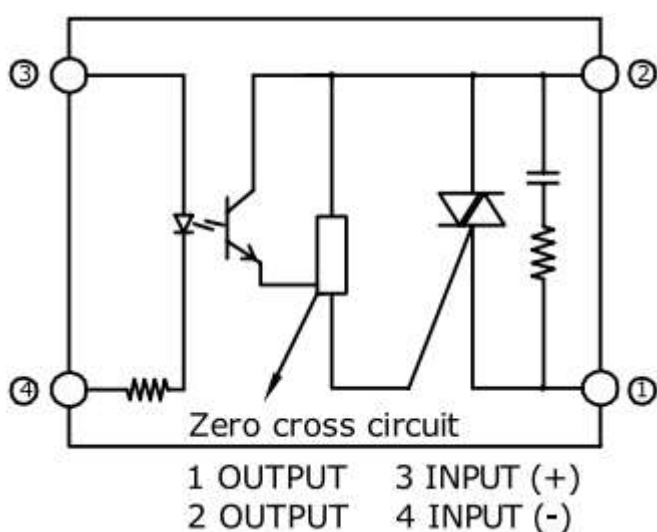
Control Voltage Range	See table on page 4
Control Current Range	See table on page 4
Pick-up Voltage	See table on page 4
Drop-out Voltage	See table on page 4
Input Resistance	See table on page 4
RMS on state Current	See table on page 4
Rep Peak Off state Voltage	600 Vac
Peak one cycle surge Current (Non-Rep)	See table on page 4
On state Voltage Drop	1.6Vac
Off state Leakage current	5mA
Zero T-On Voltage	25Vpk
Critical Rate of Rise Off state Voltage	See table on page 4
Holding Current	See table on page 4
Fuse Current	See table on page 4

Thermal Resistance	See table on page 4
Turn-On delay	10ms
Turn-Off delay	10ms
Frequency Range	47-63 Hz
Operating Temp	-30 ° to 80 ° OC

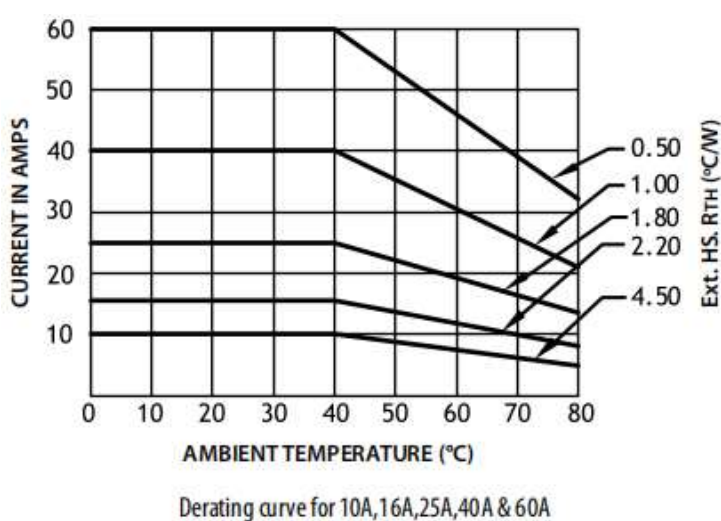
Approvals

Declarations	UL, CE, UKCA
Standards Met	IEC 62314 & IEC 62368-1

Schematic

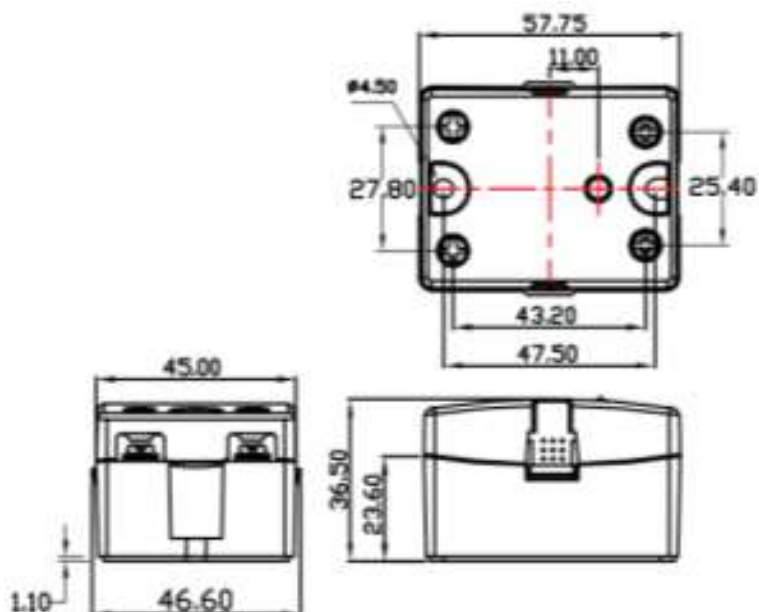


Derating Curve :



Mechanical Drawing :

Weight : 115 grams



Similar Products

Stock No.	Brand	Product Description	RMS on-state current	Control Voltage range	Control Current range	Pick-up Voltage	Drop-out voltage	Holding Current	Input Res KΩ	Peak one cycle surge Current (Non-Rep)	Critical Rate of Rise Off state Voltage	Fuse Current	Thermal Resistance
2537279	RS PRO	Solid State Relay, 240Vac (Zero-volt Switching)	10 Amp	90-280 Vac	9-25mA	90 Vac	40 Vac	50 mA	Current Regulator	100 ITSM	400 V/μs	55 A ² S	2.4 °C/W
2537272	RS PRO	Solid State Relay, 240Vac (Zero-volt Switching)	10 Amp	90-280 Vac	9-25mA	90 Vac	40 Vac	50 mA	Current Regulator	100 ITSM	400 V/μs	55 A ² S	2.4 °C/W
2537280	RS PRO	Solid State Relay, 240Vac (Zero-volt Switching)	25 Amp	90-280 Vac	9-25 mA	90 Vac	40 Vac	80 mA	Current Regulator	250 ITSM	500 V/μs	340 A ² S	0.9 °C/W
2537274	RS PRO	Solid State Relay, 240Vac (Zero-volt Switching)	25 Amp	90-280 Vac	9-25 mA	90 Vac	40 Vac	80 mA	Current Regulator	250 ITSM	500 V/μs	340 A ² S	0.9 °C/W
2537281	RS PRO	Solid State Relay, 240Vac (Zero-volt Switching))	40 Amp	90-280 Vac	9-25 mA	90 Vac	40 Vac	80 mA	Current Regulator	400 ITSM	500 V/μs	880 A ² S	0.6 °C/W
2537275	RS PRO	Solid State Relay, 240Vac (Zero-volt Switching)	40 Amp	90-280 Vac	9-25 mA	90 Vac	40 Vac	80 mA	Current Regulator	400 ITSM	500 V/μs	880 A ² S	0.6 °C/W
2537282	RS PRO	Solid State Relay, 240Vac (Random Switching)	10 Amp	3-32 Vdc	1-20mA	3Vdc	1 Vdc	50mA	1.6KΩ	100ITSM	400V/μs	55A ² s	2.4°C/W
2537276	RS PRO	Solid State Relay, 240Vac (Zero-volt Switching)	10 Amp	3-32 Vdc	1-20mA	3Vdc	1 Vdc	50mA	1.6KΩ	100ITSM	400V/μs	55A ² s	2.4°C/W
2537283	RS PRO	Solid State Relay, 240Vac (Random Turn-on)	25 Amp	3-32 Vdc	1-20mA	3Vdc	1 Vdc	150mA	Current Regulator	250ITSM	250V/μs	300A ² s	1.5°C/W
2537277	RS PRO	Solid State Relay, 240Vac (Zero-volt Switching)	25 Amp	3-32 Vdc	1-20mA	3Vdc	1 Vdc	150mA	Current Regulator	250ITSM	250V/μs	300A ² s	1.5°C/W
2537284	RS PRO	Solid State Relay, 240Vac (Random Switching)	40 Amp	3-32 Vdc	3-25mA	3Vdc	1 Vdc	120mA	Current Regulator	335ITSM	575V/μs	664A ² s	0.97°C/W
2537278	RS PRO	Solid State Relay, 240Vac (Zero-volt Switching)	40 Amp	3-32 Vdc	3-25mA	3Vdc	1 Vdc	120mA	Current Regulator	335ITSM	575V/μs	664A ² s	0.97°C/W