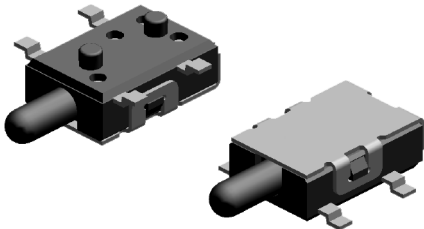


RoHS  
Compliant



## Application

- Detection of car audio mechanism
- Smoke detector
- Notebook

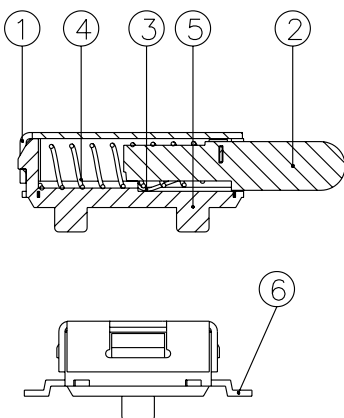
## Features

- Ultra-Low profile with 2mm
- Sharp detection feeling
- Halogen Free

## Specifications

Contact Rating	: 1mA, 5V DC
Contact Resistance	: 1Ω Max.
Insulation Resistance	: 100MΩ Min. 100V DC
Dielectric Strength	: 100V AC/1 minute
Operating Force	: 105gf Max.
Travel	: 2mm
Operating Life	: 100000 cycles
Operating Temperature	: -10°C to +60°C
Storage Temperature	: -40°C to +85°C

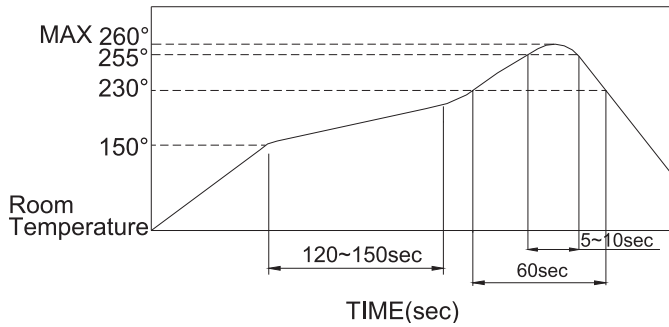
## Construction



Item	Part Name	Materials	Treatment	Qty.
1	Cover	Stainless Steel	-	1
2	Stem	High-Temp Thermoplastic PA9T	Molded Black	
3	Contact	Stainless Steel	1. With Silver Plating 2. Gold Plated	
4	Spring		-	
5	Base	High-Temp Thermoplastic PA9T	-	
6	Terminal	Phosphor Bronze	1. With Silver Plating 2. Gold Plated	

## Soldering Conditions

Condition for Soldering- MP-FTE series



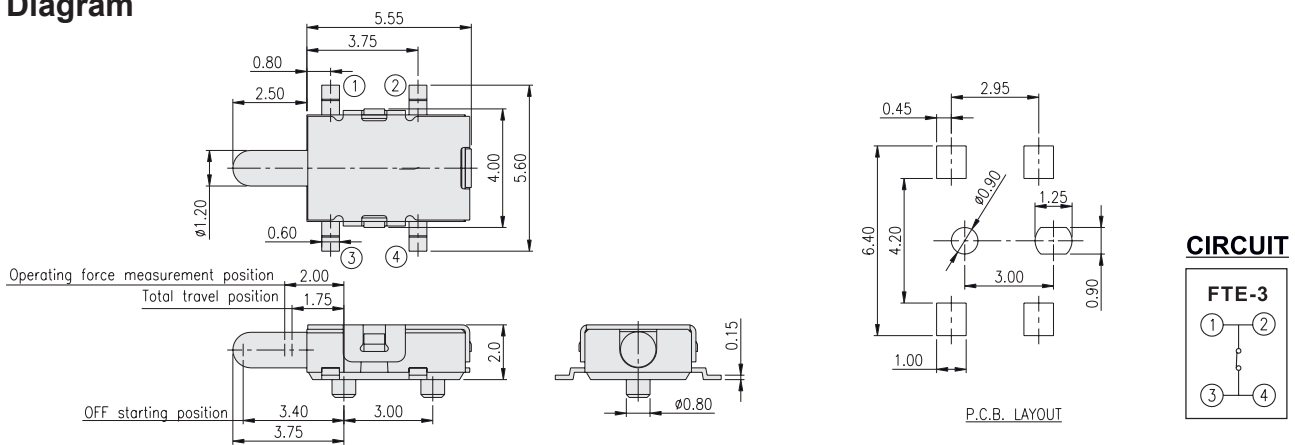
The condition mentioned above is the temperature on the Cu foil of the PCB surface.

There are cases where board's temperature greatly differs from switch's surface temperature depending on board's material, size, thickness, etc. Care, therefore, should be used not to allow switch's surface temperature to exceed 260°C.

## Manual Soldering

Soldering Temperature	Max. 350°C
Continuous Soldering Time	Max. 5 seconds

## Diagram



## Part Number Table

Description	Part Number
Detector Switch, Horizontal Type, 1mA, 5V DC, Tape and Reel	MP-FTE-3C-A-V-T/R

Dimensions : Millimetres

**Important Notice :** This data sheet and its contents (the "Information") belong to the members of the AVNET group of companies (the "Group") or are licensed to it. No licence is granted for the use of it other than for information purposes in connection with the products to which it relates. No licence of any intellectual property rights is granted. The Information is subject to change without notice and replaces all data sheets previously supplied. The Information supplied is believed to be accurate but the Group assumes no responsibility for its accuracy or completeness, any error in or omission from it or for any use made of it. Users of this data sheet should check for themselves the Information and the suitability of the products for their purpose and not make any assumptions based on information included or omitted. Liability for loss or damage resulting from any reliance on the Information or use of it (including liability resulting from negligence or where the Group was aware of the possibility of such loss or damage arising) is excluded. This will not operate to limit or restrict the Group's liability for death or personal injury resulting from its negligence. Multicomp Pro is the registered trademark of Premier Farnell Limited 2019.