



## Van Damme VDGT Rubber Cable Reels with integral cable flange



- Black rubber cable reels with ABS plastic stand and integral winding handle
- Pre-fitted with a cable flange allow the captive end of a cable assembly to be secured
- Ideal for HD-SDI coaxial and fibre optic assemblies where the bend radius requires careful management
- 2 sizes available:
  - Van Damme 805-020-000 VDGT310.FL 310mm diameter drum flange
  - Van Damme 805-022-000 VDGT380.FL 380mm diameter drum flange

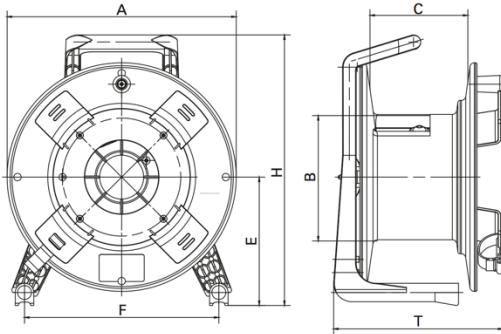
MAIN AGENT FOR THE OUTSTANDING VAN DAMME CABLE - A MEMBER OF THE VAN DAMME GROUP OF COMPANIES



[www.van-damme.com](http://www.van-damme.com)



Technical Data:



All dimensions are mm

	805-020-000 GT310.FL	805-022-000 GT380.FL
A	310	380
B	170	236
C	132	182
F	263	310
G	174	231
H	367	491
T	230	291
Net weight	3.90Kg	4.30Kg

Cable capacities indicated are nominal, typically 70-75% of the manufacturers' recommended maximum. This recognises that in real world use cables will not be re-reeled with precision

Cable Overall Diameter (mm)	805-020-000 GT310.FL	805-022-000 GT380.FL
5.0	200m	370m
6.0	135m	250m
7.0	100m	175m
8.0	70m	130m
9.0	55m	100m
10.0	45m	80m
12.0	30m	55m

MAIN AGENT FOR THE OUTSTANDING VAN DAMME CABLE - A MEMBER OF THE VAN DAMME GROUP OF COMPANIES

