

Header

Side Entry, 3.81mm

multicomp PRO



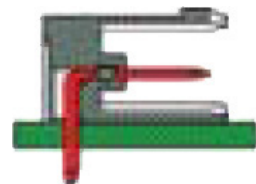
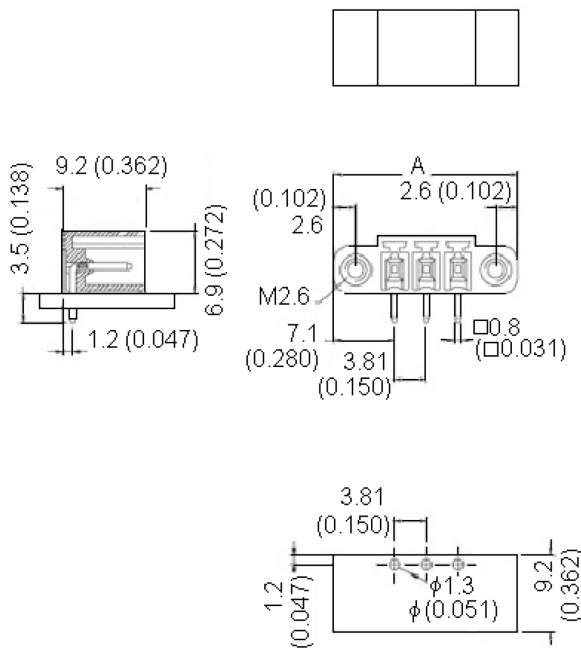
Specifications

Connector Mounting	: PCB
Pitch Spacing	: 3.81mm
Contact Material	: Phosphor Bronze
Colour	: Green
Terminal Type	: Solder
Wire Size	: 16AWG to 26AWG

Technical Data

	CUL	VDE
Rated Voltage	300V AC	300V AC
Rated Current	12A	10A
Housing Material	Polyamide 6.6	-
Solder Pin	0.8mm, Brass, Tin plated	-
Operating Temperature	-40°C to +105°C	-
PCB Hole Diameter	φ1.3mm	-

Diagram



Pitch : 3.81mm (0.15")

A	Part Number
18 (0.709)	ME050-381002
21.8 (0.859)	ME050-381003
25.6 (1.009)	ME050-381004
29.5 (1.159)	ME050-381005
33.3 (1.309)	ME050-381006
40.9 (1.609)	ME050-381008
48.5 (1.909)	ME050-381010
56.1 (2.209)	ME050-381012

Dimensions : Millimetres (Inches)

PCB Layout

Dimensions : Millimetres (Inches)

Newark.com/multicomp-pro
 Farnell.com/multicomp-pro
 Element14.com/multicomp-pro

multicomp PRO

Header

Side Entry, 3.81mm

multicomp PRO

Part Number Table

Description	Part Number
Header, Side Entry, 3.81mm, 2Way	ME050-381002
Header, Side Entry, 3.81mm, 3Way	ME050-381003
Header, Side Entry, 3.81mm, 4Way	ME050-381004
Header, Side Entry, 3.81mm, 5Way	ME050-381005
Header, Side Entry, 3.81mm, 6Way	ME050-381006
Header, Side Entry, 3.81mm, 8Way	ME050-381008
Header, Side Entry, 3.81mm, 10Way	ME050-381010
Header, Side Entry, 3.81mm, 12Way	ME050-381012

Important Notice : This data sheet and its contents (the "Information") belong to the members of the AVNET group of companies (the "Group") or are licensed to it. No licence is granted for the use of it other than for information purposes in connection with the products to which it relates. No licence of any intellectual property rights is granted. The Information is subject to change without notice and replaces all data sheets previously supplied. The Information supplied is believed to be accurate but the Group assumes no responsibility for its accuracy or completeness, any error in or omission from it or for any use made of it. Users of this data sheet should check for themselves the Information and the suitability of the products for their purpose and not make any assumptions based on information included or omitted. Liability for loss or damage resulting from any reliance on the Information or use of it (including liability resulting from negligence or where the Group was aware of the possibility of such loss or damage arising) is excluded. This will not operate to limit or restrict the Group's liability for death or personal injury resulting from its negligence. Multicomp Pro is the registered trademark of Premier Farnell Limited 2019.

Newark.com/multicomp-pro
Farnell.com/multicomp-pro
Element14.com/multicomp-pro

multicomp PRO