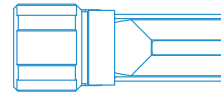


RECHARGEABLE LED PORTABLE WORK LIGHT



MS3 SERIES



Application

Engine rooms, Low visibility areas, Decks, Warehouses, Yards

Material

Aluminium alloy handle, polycarbonate diffuser and thermoplastic rubber at both ends for impact protection

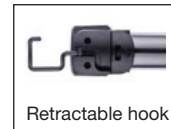
Protection Class

IP54

Weight

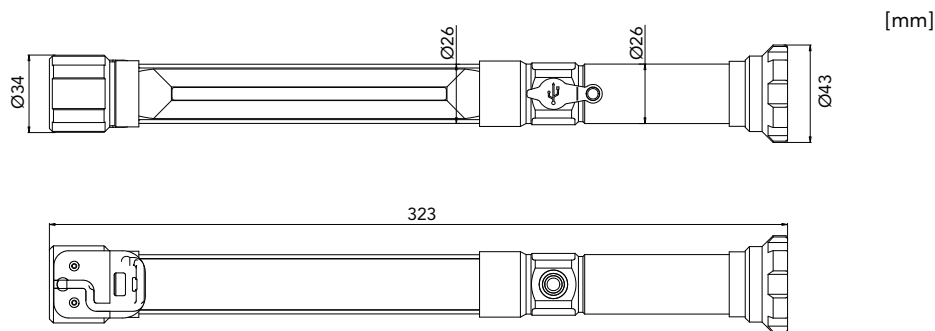
0.3Kg

Mounting Method



Key Features

- Heavy duty COB LED
- Lithium ion battery rechargeable by 5V 1A Micro USB port (power adaptor included)
- 2-step dimming + torch mode (LED at the top)
- Ultra-compact and lightweight
- Vibration and impact resistant
- Hanger hook and magnetic base for easy mounting
- 50,000 hours LED lifespan, battery life up to 500 charges
- Indicator light turns red when power is low
- Safety compliance, RoHS.



TECHNICAL SPECIFICATIONS IP 54

BH Code	Type	Main Voltage	Power	CCT	Charging Time	Ambient Temp (Ta)	System Lumen
LAMS3A	MS3	100V - 240V AC	3W	5000K	3 hrs	-20°C ~ +50°C	300lm

DIMMING SETTINGS

Brightness level	100%	30%	Torch mode
Lumens output	300lm	100lm	50lm
Light run-time	2.5 hrs	10 hrs	24 hrs