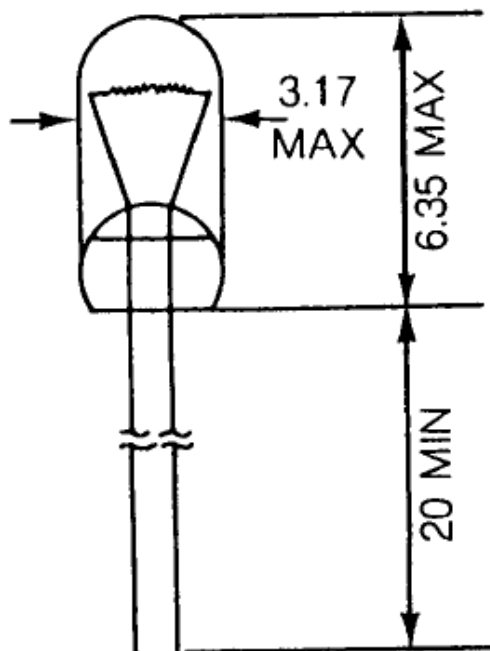


Datasheet

Wire Terminal Filament Indicator Lamp

RS Stock number [360-7913](#)

Dimensions: mm



Specifications:

Bulb Diameter:	3.17mm Max.
Length:	6.35mm Max.
Base Type:	Wire Terminal
Voltage:	12V
Filament Type:	C-2F
Life Hours:	5000hrs