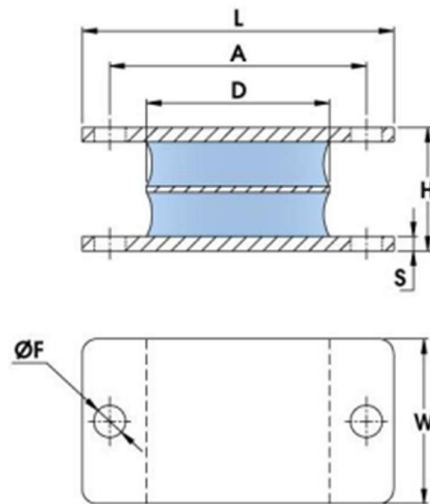


Anti Vibration Sandwich Mount

The SM Mount is suitable for both compression and shear load applications or both by fitting them in a 'V' arrangement. It is available in either 50, 60 or 70 shore hardness. These mounts have a bonded interleaf which increases the load carrying capacity. Applications include use in heavy plant and machinery, generator sets etc.



RS Code	Description	Metal	A (mm)	W (mm)	L (mm)	H (mm)	D (mm)	F (mm)	S (mm)	Hardness (ShA)
1712645	Sandwich Mount 108x43 50 ShA NR	Mild Steel	89	57	108	40.5	63.5	11	5	50
1712646	Sandwich Mount 108x43 60 ShA NR	Mild Steel	89	57	108	40.5	63.5	11	5	60
1712647	Sandwich Mount 168x43 50 ShA NR	Mild Steel	146	57	168	41.5	127	11	5	50
1712648	Sandwich Mount 168x43 60 ShA NR	Mild Steel	146	57	168	41.5	127	11	5	60
1712649	Sandwich Mount 168x43 70 ShA NR	Mild Steel	146	57	168	41.5	127	11	5	70

Compression and Deflection Data

RS Code	Description	Max Compression (kg)	Max Deflection (mm)
1712645	Sandwich Mount 108x43 50 ShA NR	180	3
1712646	Sandwich Mount 108x43 60 ShA NR	280	3
1712647	Sandwich Mount 168x43 50 ShA NR	450	3
1712648	Sandwich Mount 168x43 60 ShA NR	700	3
1712649	Sandwich Mount 168x43 70 ShA NR	1030	3