



ENGLISH

Datasheet

RS Article:1854796

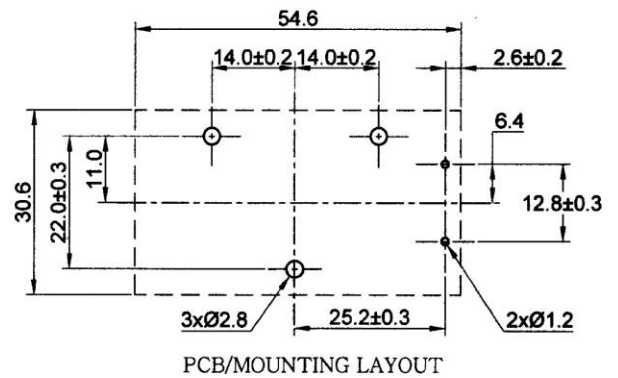
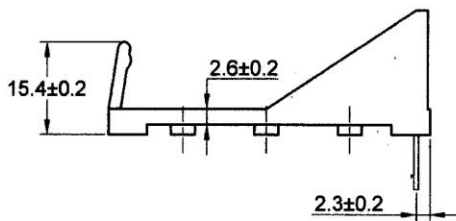
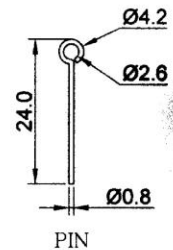
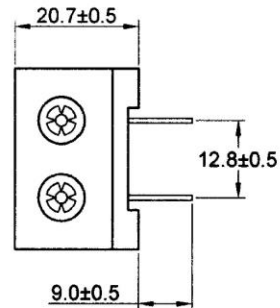
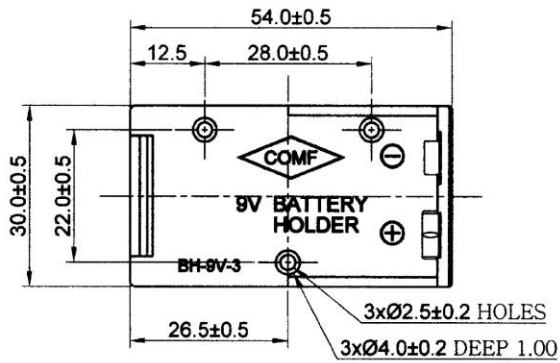
RS Pro Battery Holder



1. Preface:

The purpose of this product specification is to dimension and drawing

9V with PIN



SPECIFICATION

- (1) ITEM NO. : 1854796
- (2) WITH PIN: Ø0.8x24MM, BRASS NICKEL PLATED
- (3) HOLDER MATERIAL: ABS 94HB RESIN, BLACK COLOR
- (2) SNAP: 6 PRONG SNAP, BRASS NICKEL PLATED
- (5) RIVET MATERIAL: BRASS NICKEL PLATED
- (6) RoHS COMPLIANT

Measure: mm