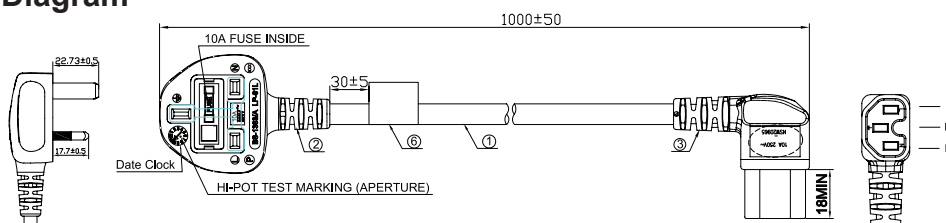


**RoHS
Compliant**

Specification Table

Construction		
Conductor	Size	3G1.0mm ²
	Construction (No./mm)	32/0.2 ±0.008 BC
	Lay of Strands	45mm
	Diameter of Strands	1.31mm ±0.1mm
Insulation	Material	EPR
	Average Thickness	0.6mm
	Minimum Thickness	0.44mm
	Colour	Brown, Blue, Green, Yellow
	Overall Diameter	2.5mm ±0.15mm
Jacket	Material	CPE
	Average Thickness	0.9mm
	Minimum Thickness	0.67mm
	Colour	Black
	Overall Diameter	7.1mm ±0.3mm
Electrical and Physical Properties		
Cond. Resistance (Ω/km/20°C max.)		19.5Ω
Spark Test (kV/0.15 sec. AC.)		6kV
The Water Pressure Test (kV/15min AC in water)		2kV
Insulation		
Unaged	Tensile Strength (N/mm ²)	5N
	Elongation (%)	200%
Aged 100°C ±2°C × 168H	Tensile Strength Variation	±25%
	Elongation Variation	±25%
Jacket		
Unaged	Tensile Strength (N/mm ²)	7N
	Elongation (%)	300%
Aged 70°C ±2°C × 240H	Tensile Strength Variation	±15%
	Elongation Variation	-25%

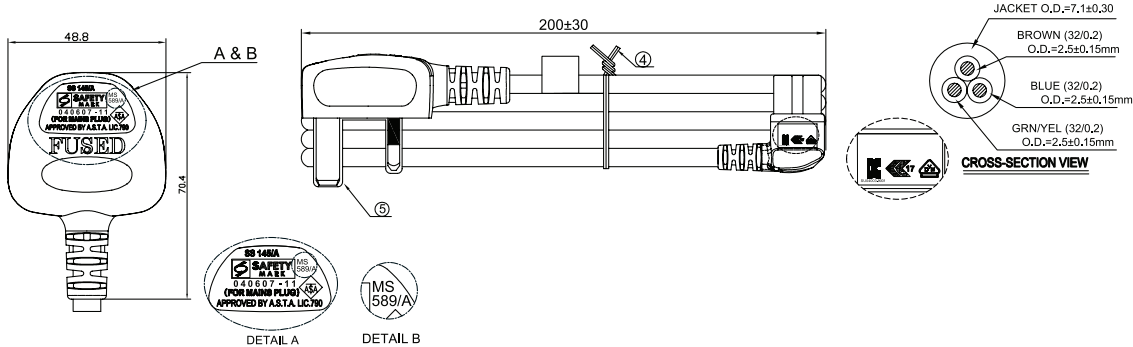
Diagram



UL 105°C 300V 3×17AWG (1.04mm²) FT2 <PS>E Jet PNCTF <VDE> H05RN-F 3G1.0mm² 60245 IEC 57(YZW) 300/500V CCC A090555 NSW27916 Lucky United E HU01046-11002 Ever United LF.

Dimensions : Millimetres

Newark.com/multicomp-pro
Farnell.com/multicomp-pro
sg.element14.com/b/multicomp-pro



Item	Description	Qty.
1	H05RN-F 1.00mm ² 3C, Black	1
2	(Molded Plug) LP-61L, Fuse:10A/250V	
3	(Molded Connector) LS-15L, 10A/250V	
4	Mini Tie	
5	Sleeve	
6	Label	

Notes

1. Cable : The Cord Shall Comply with IEC 60227.
2. Plug : The Molded Plug shall comply with BS1363A and Fuse shall comply with BS1362.
3. Connector : The Molded Connector shall comply with IEC60320-1 Standards (C15 Connector).
4. Colour : Black
5. The product shall be tested 100% for all safety electrical items

Part Number Table

Description	Part Number
Power Cord, Black, LP-61L to LS-15L, 10A/250V, 1m	GW-151829

Dimensions : Millimetres

Important Notice : This data sheet and its contents (the "Information") belong to the members of the AVNET group of companies (the "Group") or are licensed to it. No licence is granted for the use of it other than for information purposes in connection with the products to which it relates. No licence of any intellectual property rights is granted. The Information is subject to change without notice and replaces all data sheets previously supplied. The Information supplied is believed to be accurate but the Group assumes no responsibility for its accuracy or completeness, any error in or omission from it or for any use made of it. Users of this data sheet should check for themselves the Information and the suitability of the products for their purpose and not make any assumptions based on information included or omitted. Liability for loss or damage resulting from any reliance on the Information or use of it (including liability resulting from negligence or where the Group was aware of the possibility of such loss or damage arising) is excluded. This will not operate to limit or restrict the Group's liability for death or personal injury resulting from its negligence. Multicomp Pro is the registered trademark of Premier Farnell Limited 2019.

Newark.com/multicomp-pro
 Farnell.com/multicomp-pro
 sg.element14.com/b/multicomp-pro