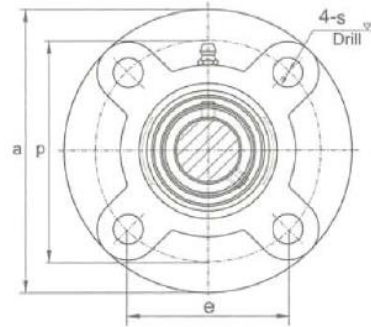
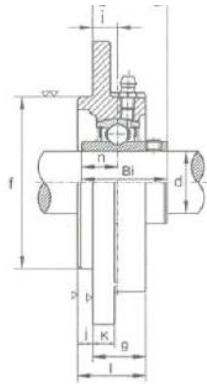


## Flange Cartridge Bearing unit MD – Metric



RS Article no.	Bearing unit No.	Shaft Dia.	Dimension (mm)														Bolt used	Bearing No.	Housing No.	Weight (kg)
		d (mm)	a	p	e	i	l	s	j	k	g	f	z	Bi	n	(mm)				
7508839	UCFCX07	35	133	111	78.5	9	37	12	11	11	26	92	39.2	49.2	19	M10	UC X07	FCX 07	1.9	
7508848	UCFCX08	40	133	111	78.5	9	37	12	11	11	26	92	39.2	49.2	19	M10	UC X08	FCX 08	2	
7508841	UCFCX09	45	155	130	91.9	8	37	14	12	11	25	108	40.6	51.6	19	M12	UC X09	FCX 09	2.6	
7508845	UCFCX10	50	162	136	96.2	7	41	14	16	11	25	118	40.4	55.6	22.2	M12	UC X10	FCX 10	3.2	
7508854	UCFCX11	55	180	152	107.5	4	48	16	22	13	26	127	43.7	65.1	25.4	M14	UC X11	FCX 11	4.2	
7508857	UCFCX12	60	194	165	116.7	11	53	16	20	14	33	140	50.7	65.1	25.4	M14	UC X12	FCX 12	5.3	