



# Product Datasheet High Pressure Ball Valve

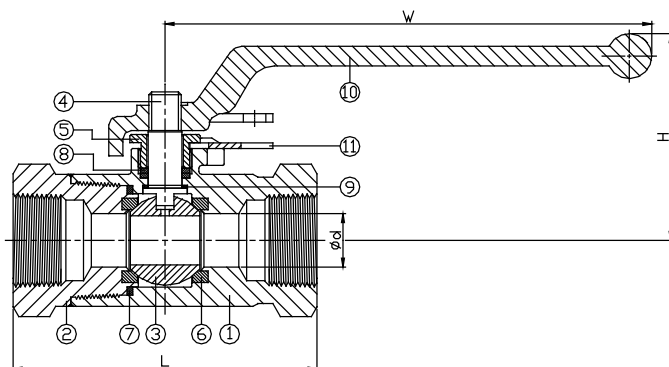
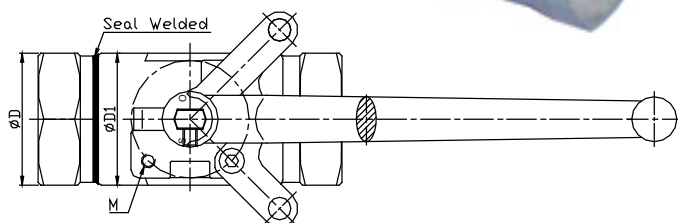
ENGLISH

## Features



- 1/4"~2" (DN8~DN50)
- W.P. : 3600 WOG (PN250)
- W.T. : -20°C~260°C (-4°F~500°F)
- Investment casting
- Blow-out proof stem
- Anti-static device (option)
- Locking device
- ISO 5211 Mounting pad
- **Seal welded ends**
- **ASME B16.34 Wall thickness**
- **NACE MR0175**
- **API 607 Fire safe approved**

- Thread type : ASME B1.20.1 (NPT)  
DIN2999 & BS21  
ISO7/1 & EN10226



ITEM	PARTS	MATERIAL
1	BODY	ASTM A351-CF8M
2	CAP	
3	BALL	17-4PH
4	STEM	ASTM A564-630 H900
5	GLAND NUT	AISI 304
6	SEAT	PEEK / DELRIN
7	SEAL	GRAPHITE
8	PACKING	
9	THRUST WASHER	CTFE
10	HANDLE	AISI 304
11	LOCKING PAD	

RS Code	DN	d	B	C	L	H	W	M	ISO 5211	Torque (N-M)	Weight (kg)
826-7153	8 F	6.35	32	39	76.2	56.6	142	M5*P0.8	F03	9.5	0.7
826-7157	15 F	12.7	32	39	101.6	56.6	142	M5*P0.8	F03	9.5	0.8
826-7166	20 F	19	47	47	108	76.1	173	M5*P0.8	F04	28	1.3
826-7169	25 S	19	47	47	108	76.1	173	M5*P0.8	F04	28	1.3
826-7163	40 F	38.1	77	86	134	117	247.5	M8*P1.25	F07	53	4.9
826-7172	50 S	38.1	82	86	158.1	117	247.5	M8*P1.25	F07	53	5.4

F: Full Port S: Standard Port

unit:mm

RS Code	NPS	d	B	C	L	H	W	M	ISO 5211	Torque (in-lb)	Weight (lb)
826-7153	1/4" F	0.25	1.26	1.54	3	2.23	5.59	M5*P0.8	F03	84.1	1.5
826-7157	1/2" F	0.5	1.26	1.54	4	2.23	5.59	M5*P0.8	F03	84.1	1.7
826-7166	3/4" F	0.75	1.85	1.85	4.25	3	6.81	M5*P0.8	F04	247.8	3
826-7169	1" S	0.75	1.85	1.85	4.25	3	6.81	M5*P0.8	F04	247.8	2.8
826-7163	1-1/2" F	1.5	3.03	3.39	5.28	4.61	9.74	M8*P1.25	F07	469.1	10.8
826-7172	2" S	1.5	3.23	3.39	6.22	4.61	9.74	M8*P1.25	F07	469.1	11.8

F: Full Port S: Standard Port

unit:in