

Professionally approved products.

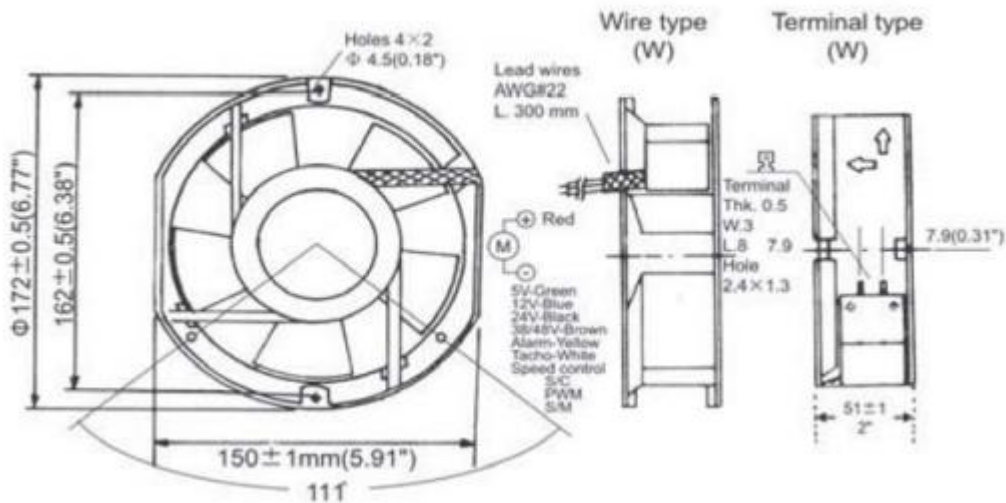
Datasheet

DC Axial Fan, 172 Dia. x 51 mm, 391m³/h, 5W, 12 V dc (OD127SAP Series)

RS Stock 624-6577



Dimensions: (mm)



Professionally approved products.

Datasheet

Specifications

- Impeller & Frame: Aluminium Die Cast, Black

Available Options

- Tachometer
- Locked Rotor Alarm
- Thermal Speed Control

- MOTOR: Brushless DC, polarity protected, locked rotor protected (current limited), auto restart
- INSULATION RESISTANCE Min. 10M ohms at 500VDCLIFE EXPECTANCY (L10) :Ball Bearing 60,000 Hours
- Operating Temperature -10C ~ +70C
- Safety Approvals: UL/CUL, TUV, CE

RS Part No.	Speed	Airflow	Noise	Volts	Voltage	Current	Connection Type
6196696	3300	230	52	12	9~13	1.9	Wire
6246577	3300	230	52	12	9~13	1.9	Terminal
6196719	3300	230	52	24	12~27.6	1.0	Wire